

## **CUT LIST:**

**Top/Bottom - 16.5" x 16.5" (2)**

**Left Side - 10.5" x 15"**

**Right Side - 10.5" x 15.75"**

**Front - 10.5" x 14-<sup>5</sup>/<sub>8</sub>"**

**Back - 10.5" x 16.5"**

**Front Port Wall - 10.5" x 13-<sup>7</sup>/<sub>8</sub>"**

**Back Port Wall - 10.5" x 9-<sup>3</sup>/<sub>8</sub>"**

**Port Bend 45 - 10.5" x 15/16"**

## **SPECS:**

**Volume - 1.0 ft<sup>3</sup>**

**Port Area - 11.8 in<sup>2</sup>**

**Port Tune - 33 Hz**

**\*Please do not change sub cutout locations, flush mount unless design has flush mounts, or add random 45's.\***

# Panel Cutting Plan / optiCutter

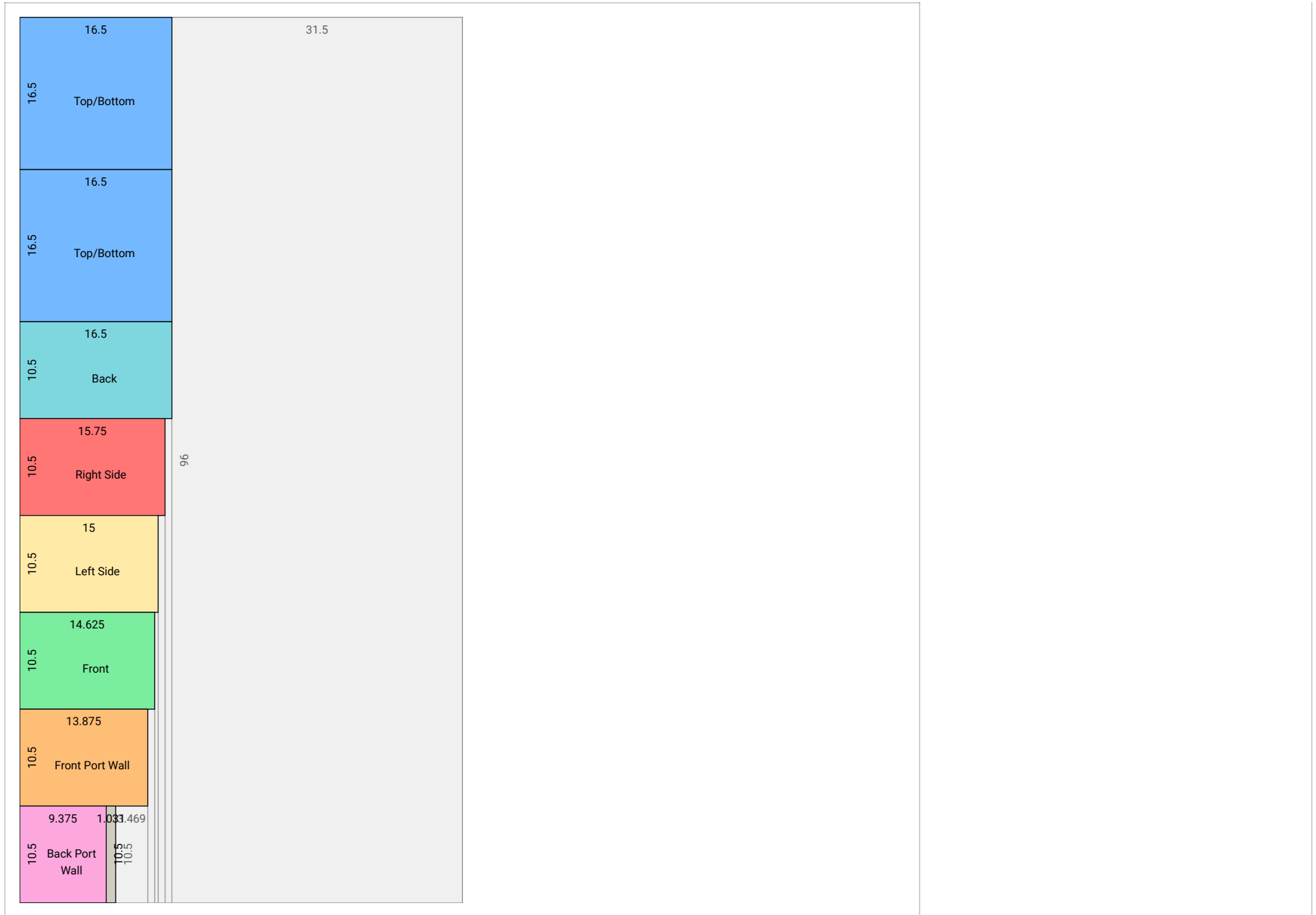
## Required stocks

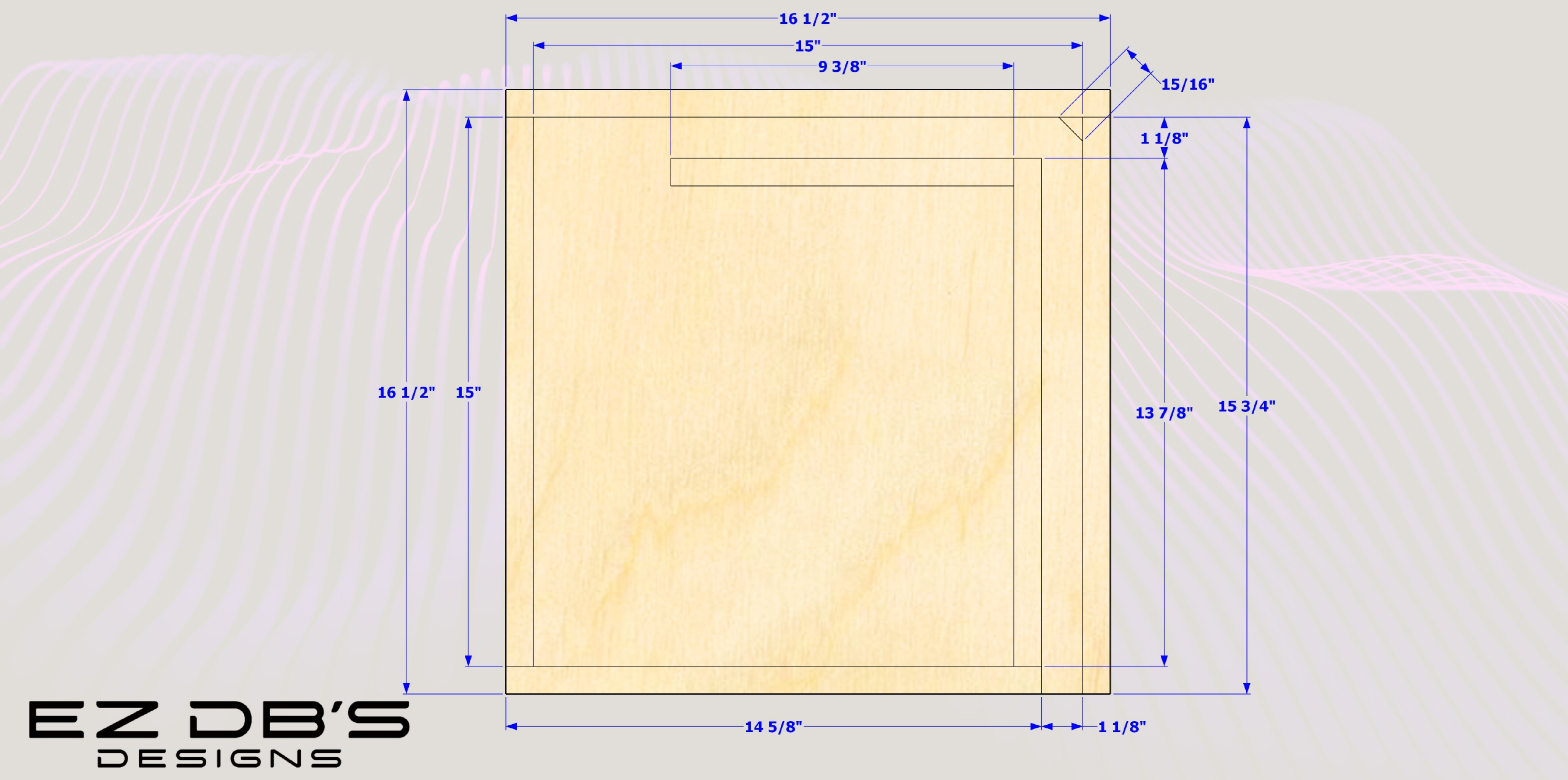
Stock dimensions	Quantity
48 x 96	1
<b>Total</b>	<b>1</b>

Total panels area (Quantity)	<b>1,449.138 (9)</b>
Used stocks total area (Yield)	<b>4,608 (31.448 %)</b>
Total cutting layouts	<b>1</b>
Total cuts length (Quantity)	<b>372.75 (14)</b>

## Cutting layouts

Layout ID	Repetition	Stock dimensions	Panel	Qty
A	1x	48 x 96	9.375 x 10.5 / Back Port Wall	1
			15 x 10.5 / Left Side	1
			14.625 x 10.5 / Front	1
			16.5 x 16.5 / Top/Bottom	2
			15.75 x 10.5 / Right Side	1
			1.031 x 10.5 / Port Bend 45	1
			13.875 x 10.5 / Front Port Wall	1
			16.5 x 10.5 / Back	1
<b>Cuts in layout</b>				
The length of cuts				372.75
The number of cuts				14





16 1/2"

15"

9 3/8"

15/16"

1 1/8"

16 1/2"

15"

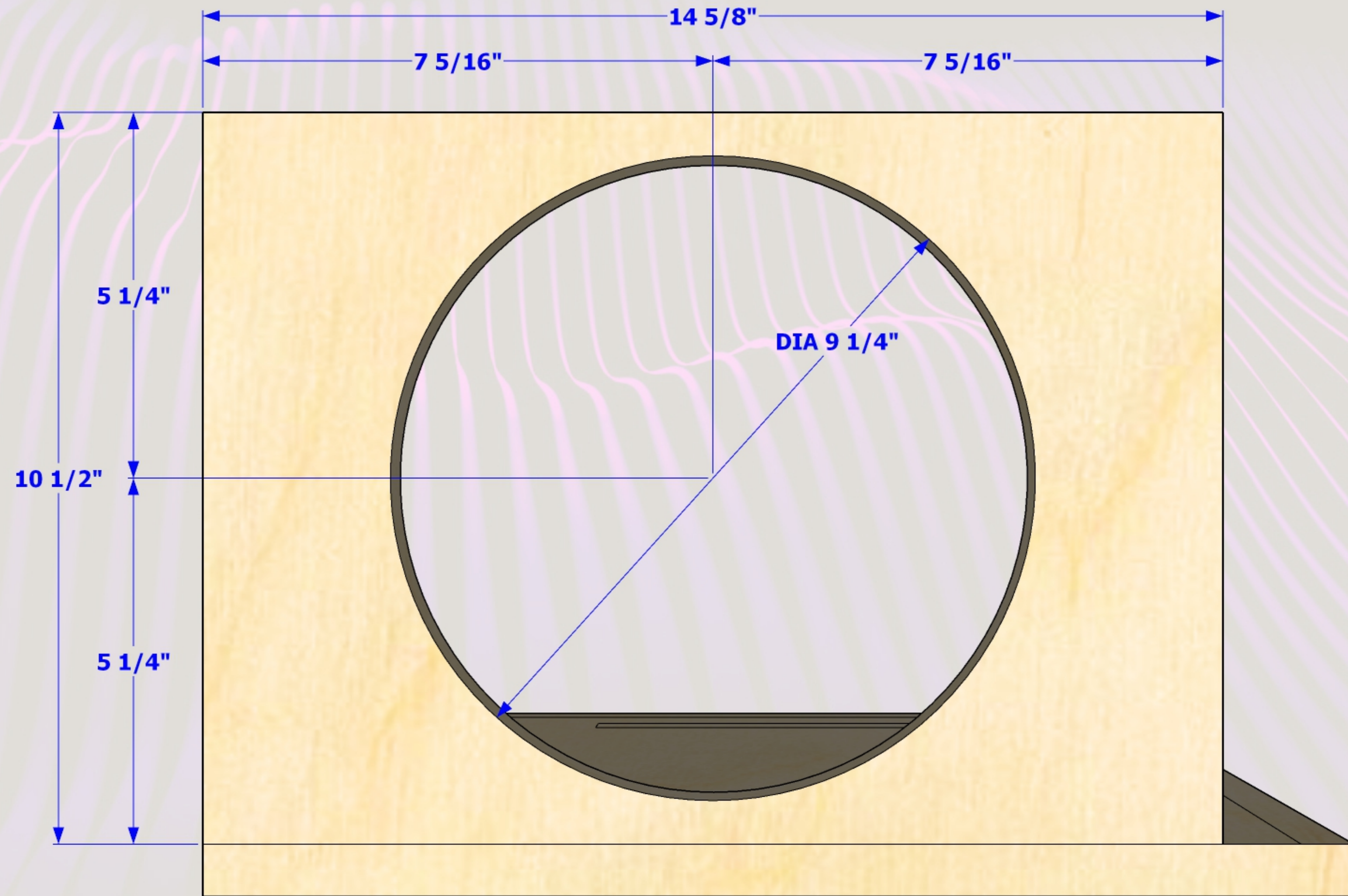
13 7/8"

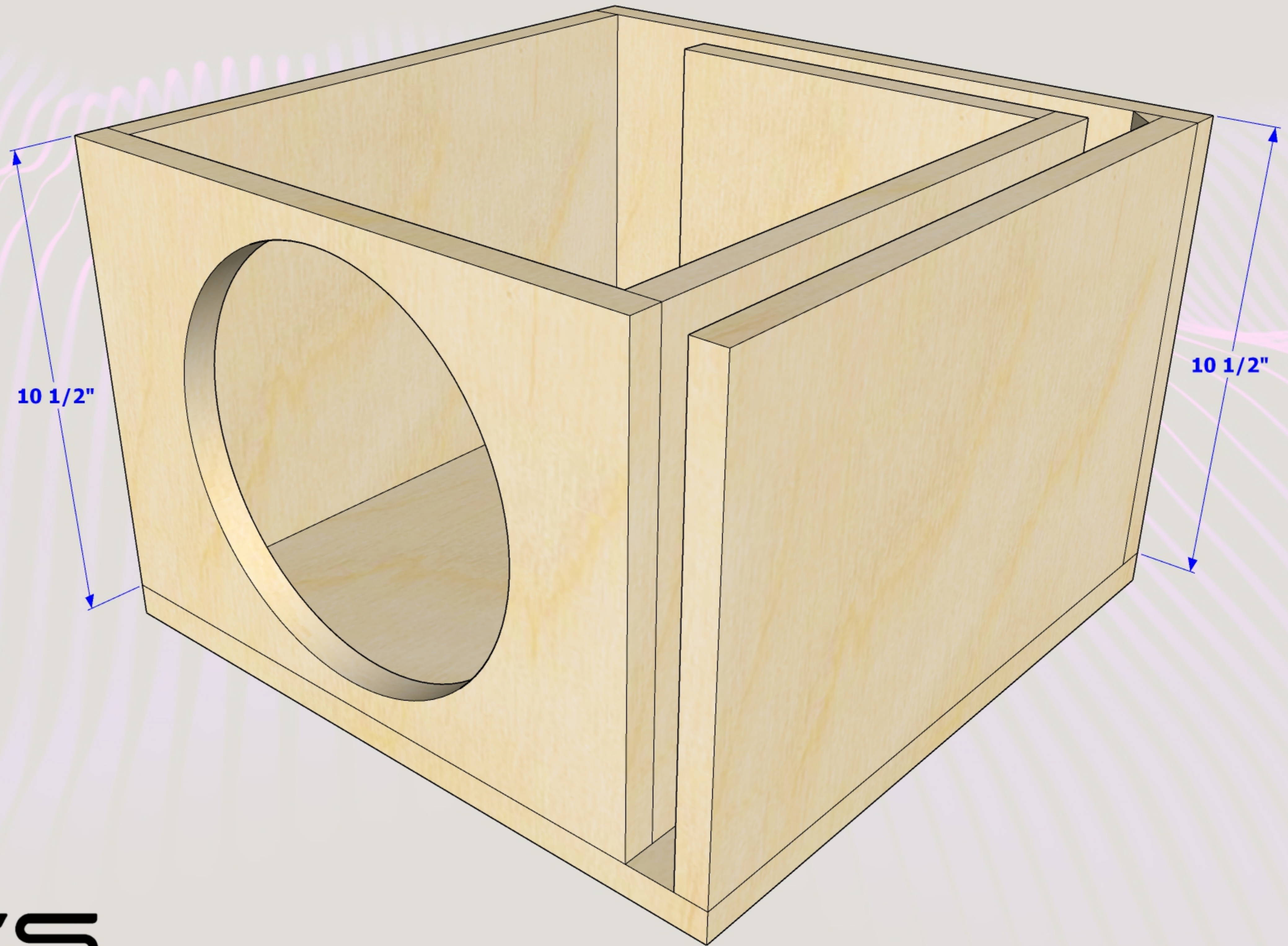
15 3/4"

14 5/8"

1 1/8"

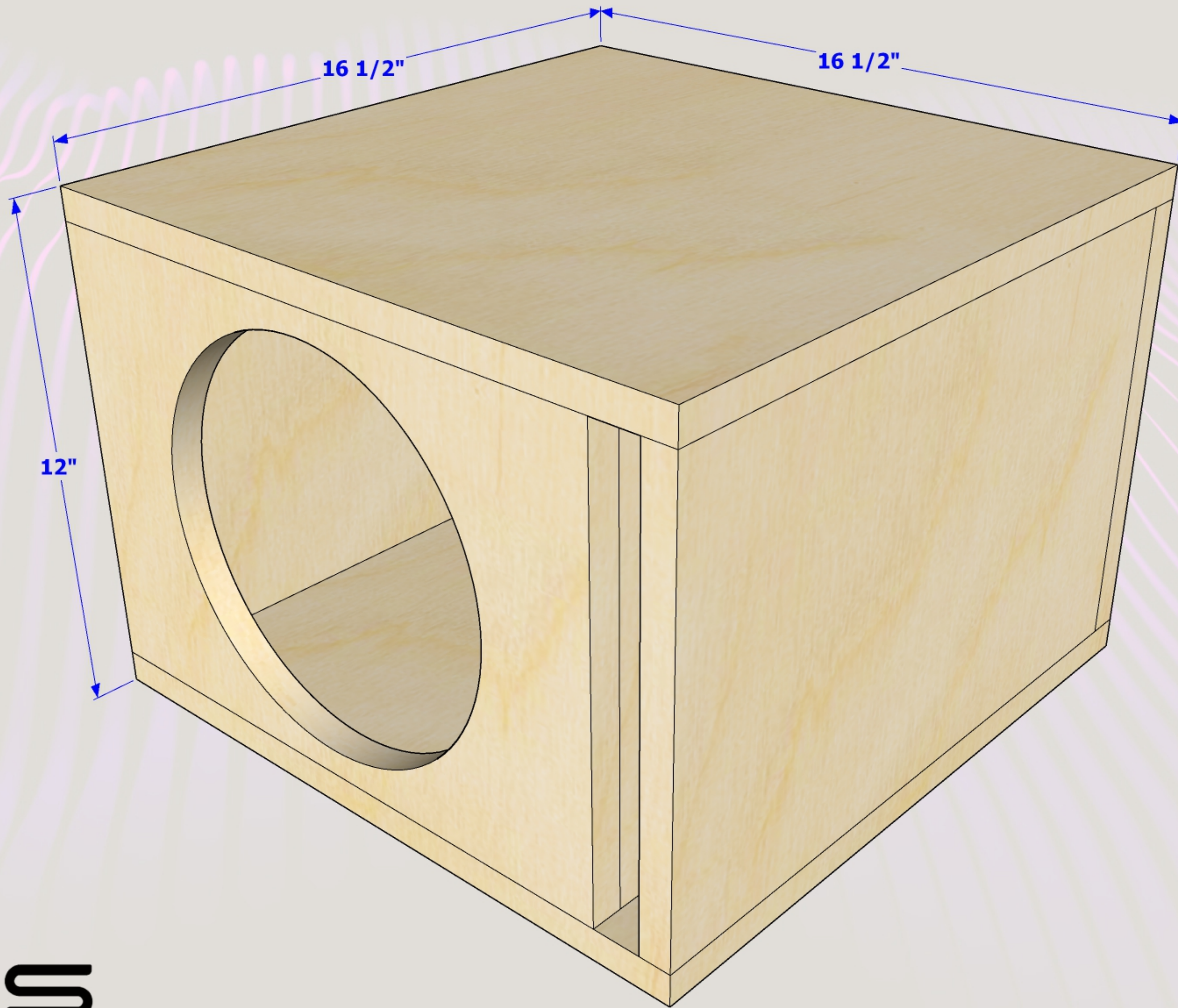
**ENZ DB'S**  
DESIGNS



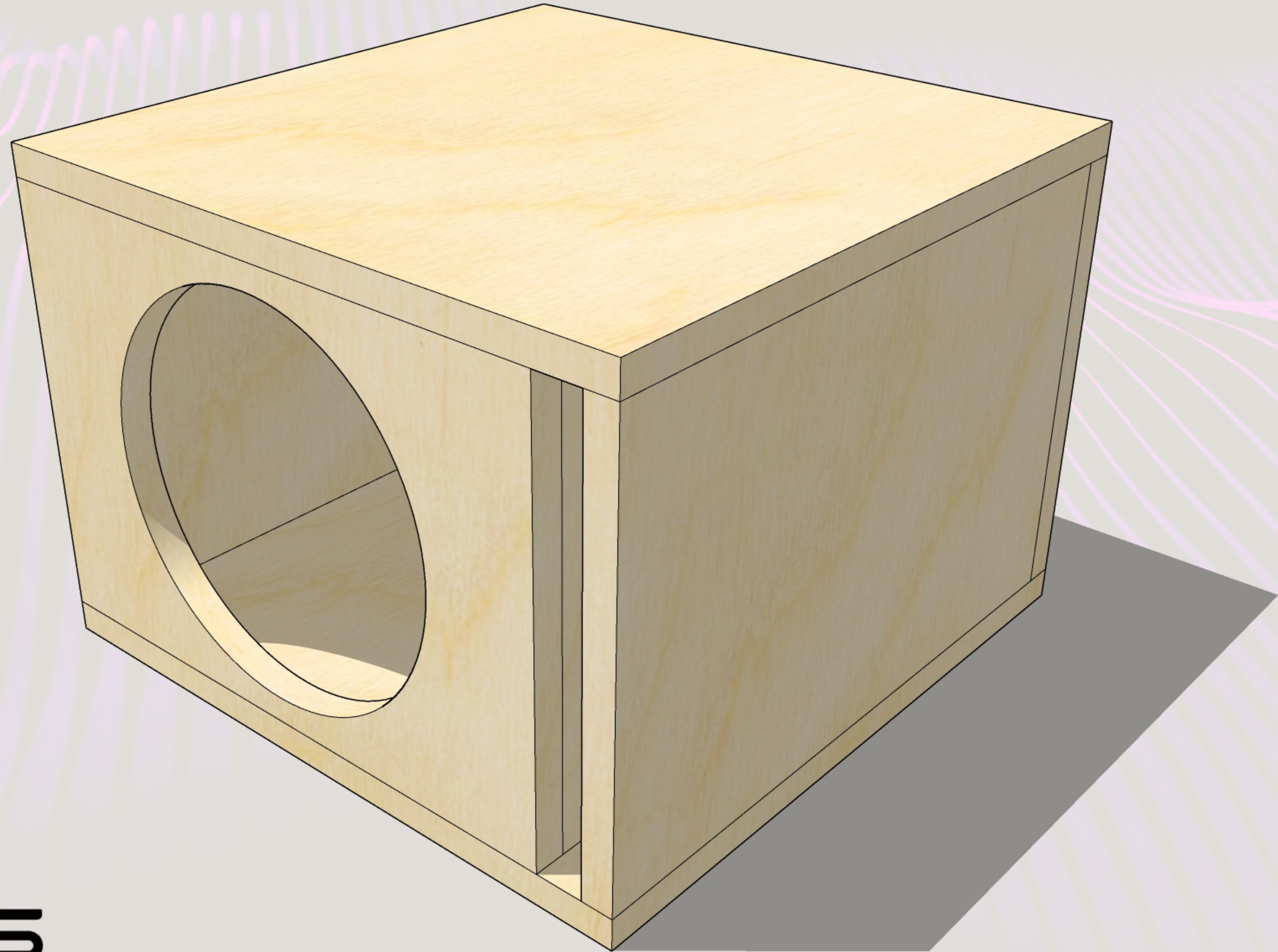


10 1/2"

10 1/2"







**ENZ DB'S**  
DESIGNS