

# Panel Cutting Plan / optiCutter

## Required stocks

Stock dimensions	Quantity
48 x 96	1
<b>Total</b>	<b>1</b>

Total panels area (Quantity)	<b>1,881.184 (9)</b>
Used stocks total area (Yield)	<b>4,608 (40.824 %)</b>
Total cutting layouts	<b>1</b>
Total cuts length (Quantity)	<b>365.376 (15)</b>

## Cutting layouts

Layout ID	Repetition	Stock dimensions	Panel	Qty
A	1x	48 x 96	17.625 x 12.5 / Right Side	1
			12.5 x 10.688 / Back Port Wall	1
			18.438 x 12.5 / Back	1
			18.438 x 18.375 / Top/Bottom	2
			16.063 x 12.5 / Front	1
			1.348 x 12.5 / Port Bend 45	1
			12.5 x 16.875 / Left Side	1
			12.5 x 15.25 / Front Port Wall	1
<b>Cuts in layout</b>				
			The length of cuts	365.376
			The number of cuts	15



## **CUT LIST:**

**Top/Bottom -  $18\text{-}\frac{7}{16}\text{''}$  x  $18\text{-}\frac{3}{8}\text{''}$  (2)**

**Left Side -  $12.5\text{''}$  x  $16\text{-}\frac{7}{8}\text{''}$**

**Right Side -  $12.5\text{''}$  x  $17\text{-}\frac{5}{8}\text{''}$**

**Front -  $12.5\text{''}$  x  $16\text{-}\frac{1}{16}\text{''}$**

**Back -  $12.5\text{''}$  x  $18\text{-}\frac{7}{16}\text{''}$**

**Front Port Wall -  $12.5\text{''}$  x  $15.25\text{''}$**

**Back Port Wall -  $12.5\text{''}$  x  $10\text{-}\frac{11}{16}\text{''}$**

**Port Bend 45 -  $12.5\text{''}$  x  $1\text{-}\frac{11}{32}\text{''}$**

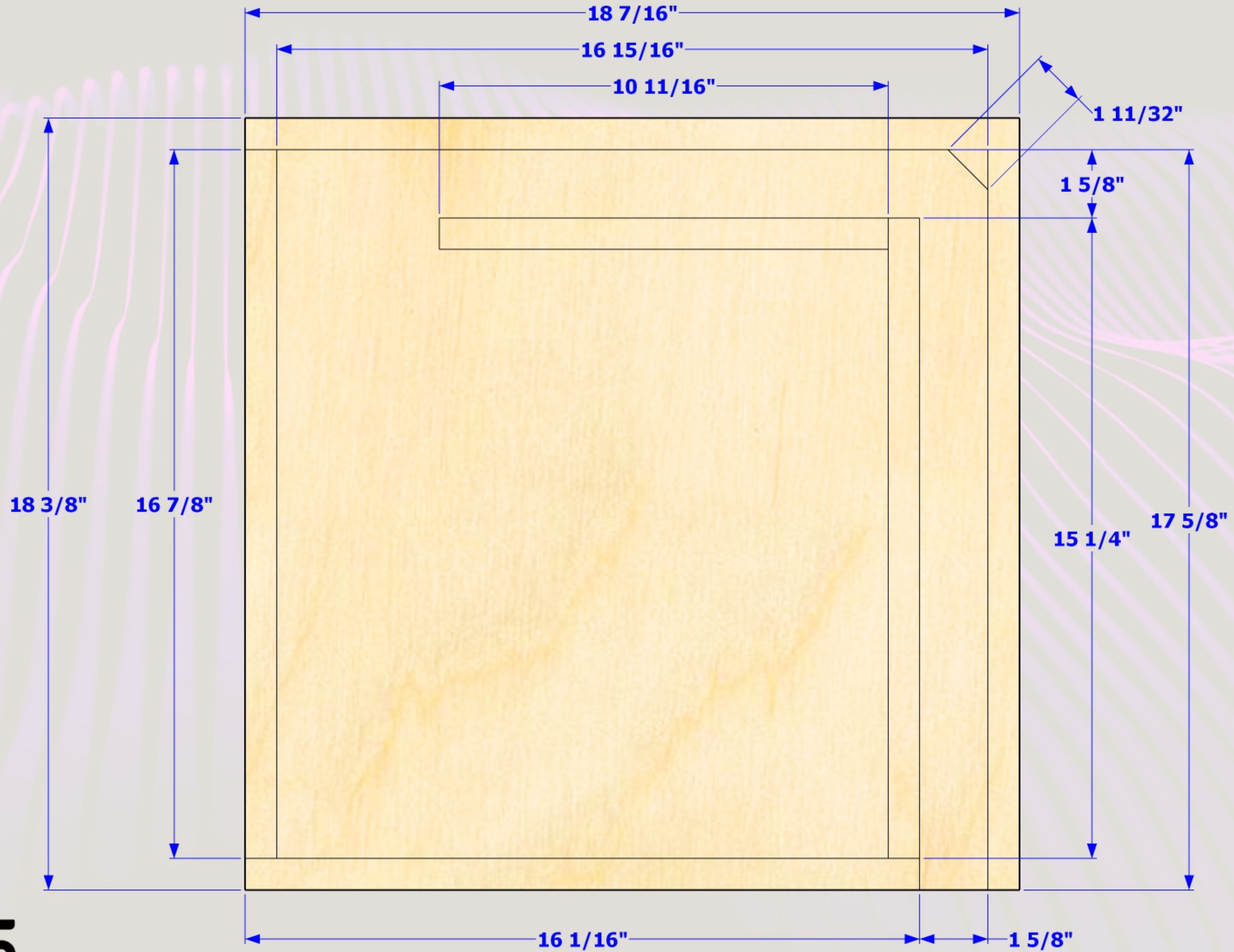
## **SPECS:**

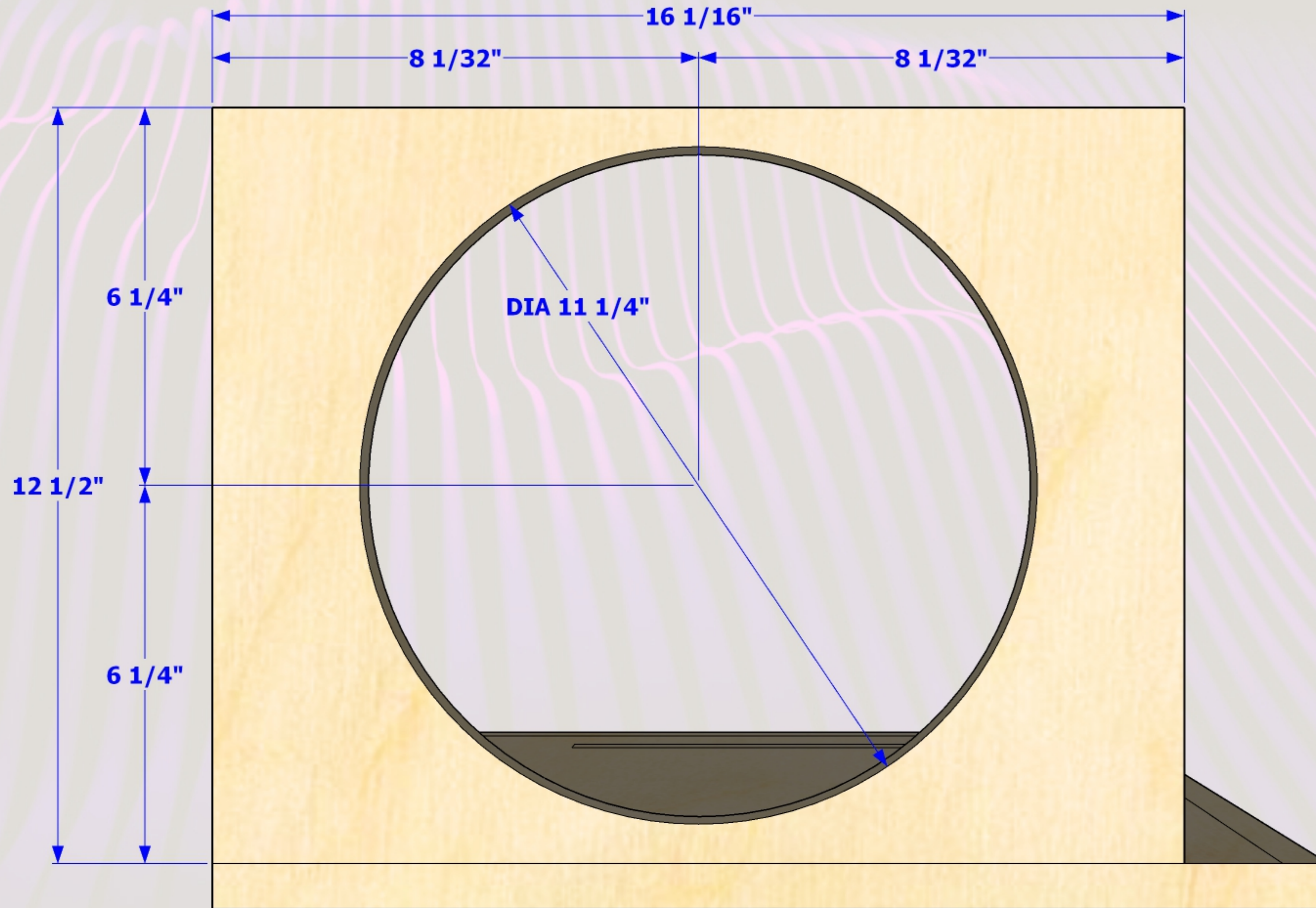
**Volume -  $1.5\text{ ft}^3$**

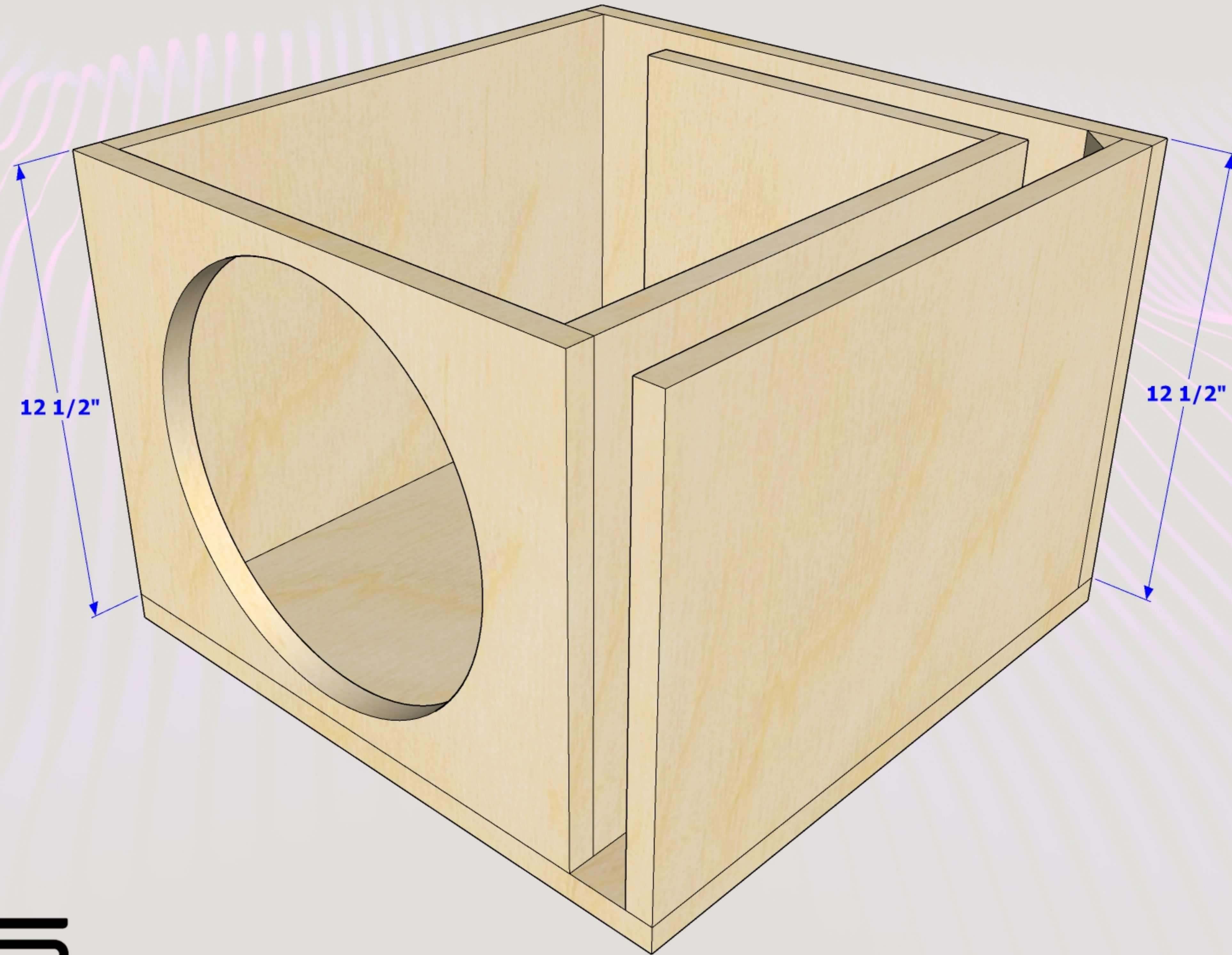
**Port Area -  $20.3\text{ in}^2$**

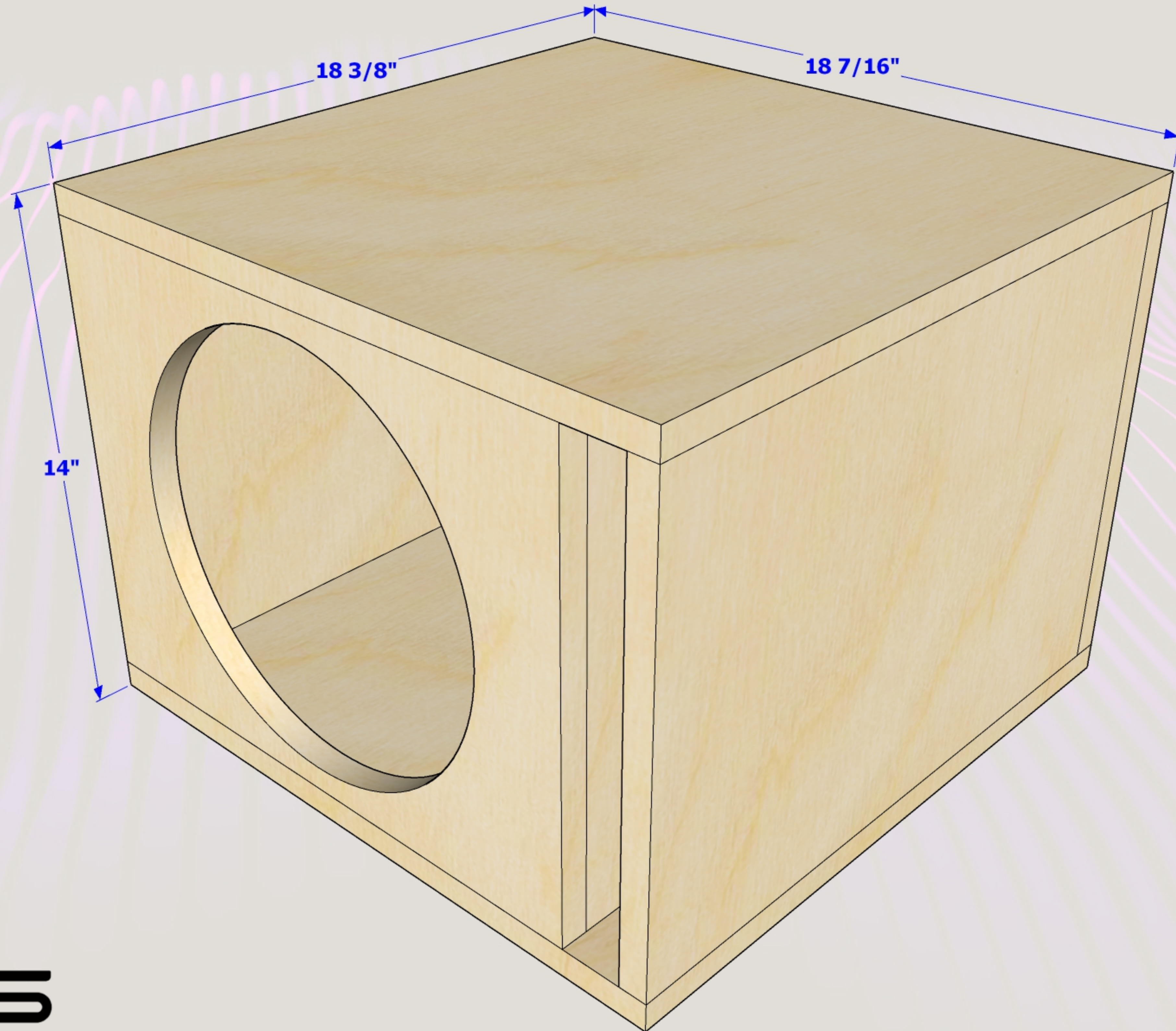
**Port Tune -  $33\text{ Hz}$**

**\*Please do not change sub cutout locations, flush mount unless design has flush mounts, or add random 45's.\***



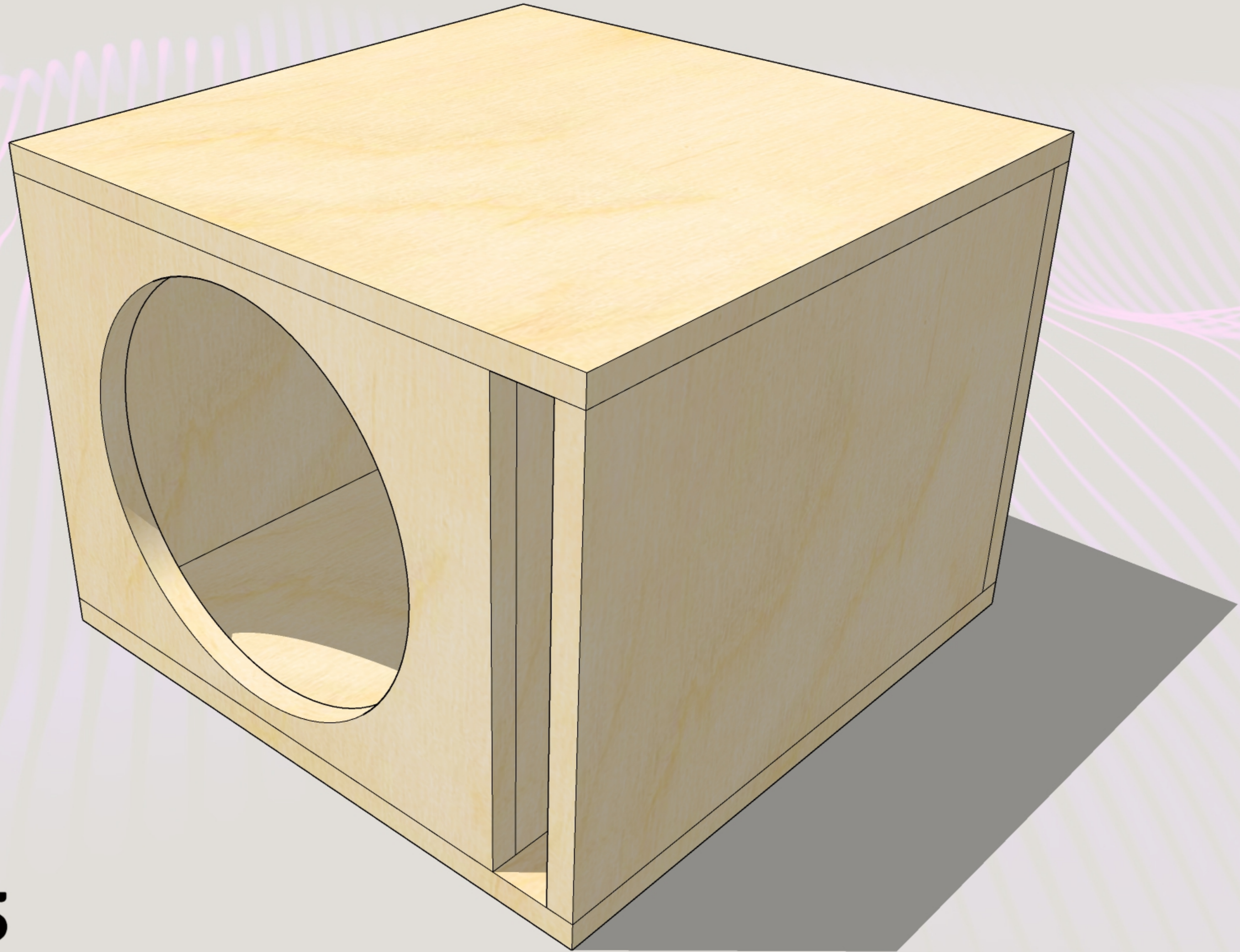






**ENZ DB'S**  
DESIGNS





**ENZ DB'S**  
DESIGNS