

## **CUT LIST:**

**Top/Bottom - 16.5" x 16.5" (2)**

**Left Side - 8.5" x 15"**

**Right Side - 8.5" x 15.75"**

**Front - 8.5" x 14.5"**

**Back - 8.5" x 16.5"**

**Front Port Wall - 8.5" x 13.75"**

**Back Port Wall - 8.5" x 11.75"**

**Side Port Wall - 8.5" x 1.75"**

**Port Bend 45's - 8.5" x 1-1/32" (2)**

## **SPECS:**

**Volume - 0.75 ft<sup>3</sup>**

**Port Area - 10.6 in<sup>2</sup>**

**Port Tune - 33 Hz**

**\*Please do not change sub cutout locations, flush mount unless design has flush mounts, or add random 45's.\***

# Panel Cutting Plan / optiCutter

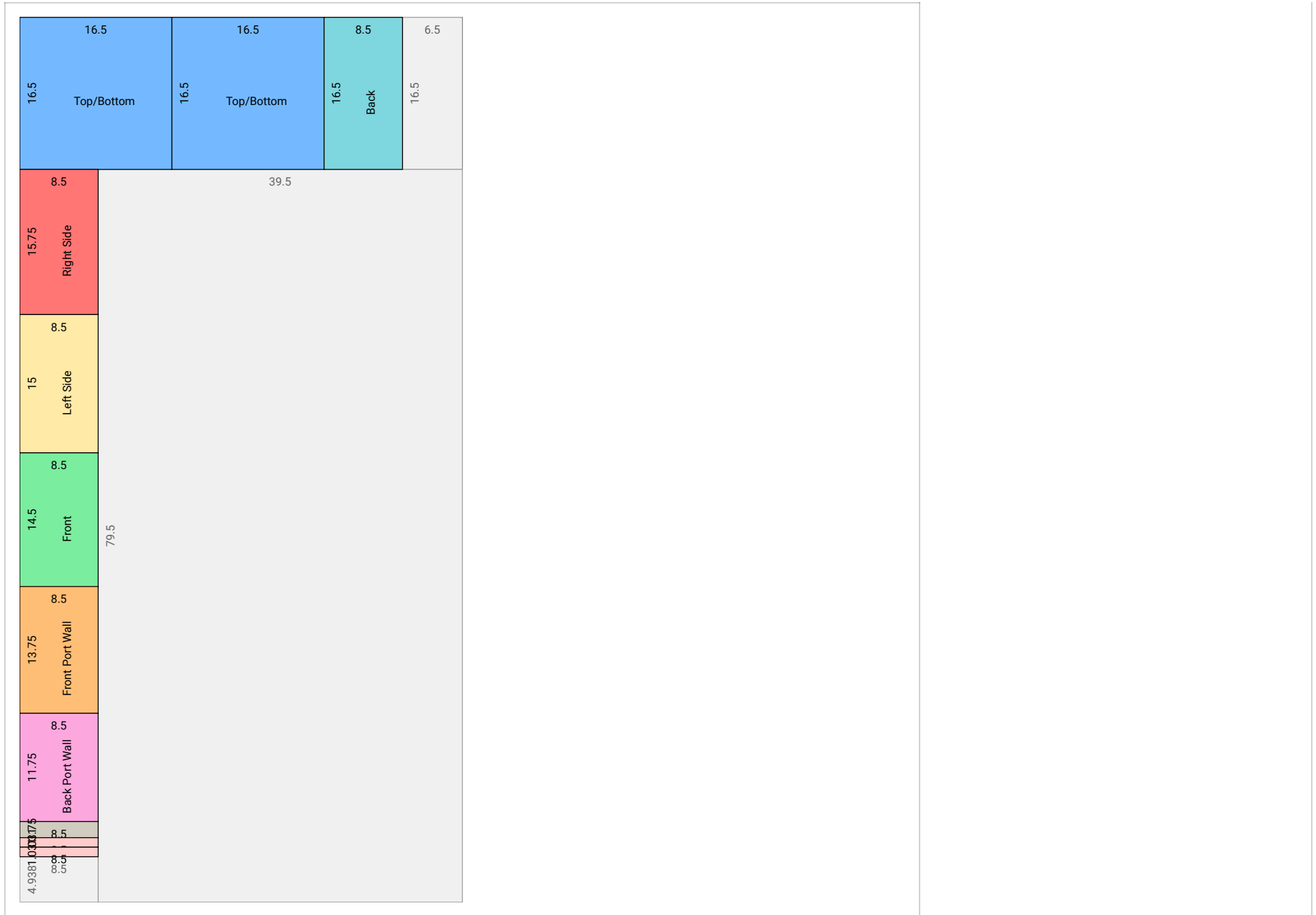
## Required stocks

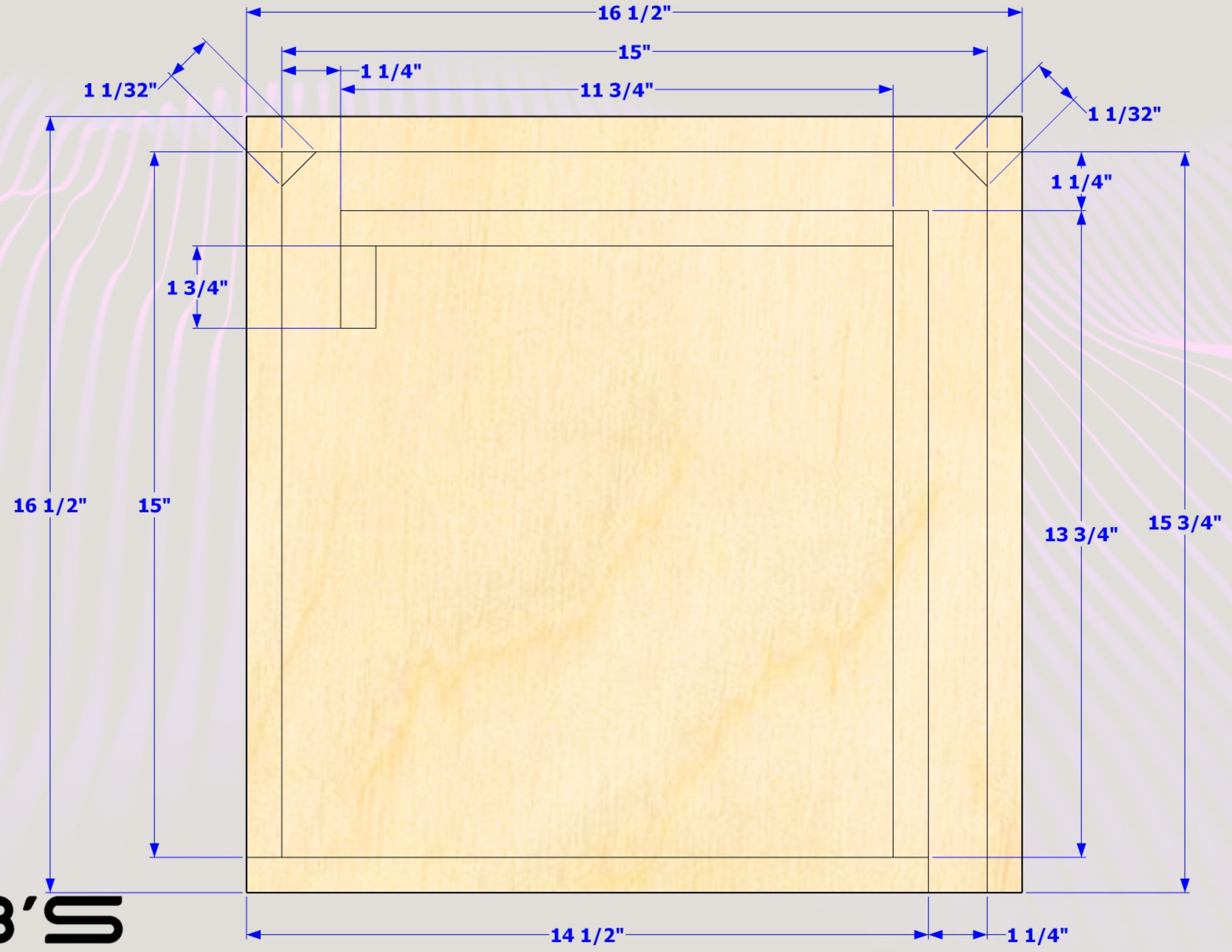
Stock dimensions	Quantity
48 x 96	1
<b>Total</b>	<b>1</b>

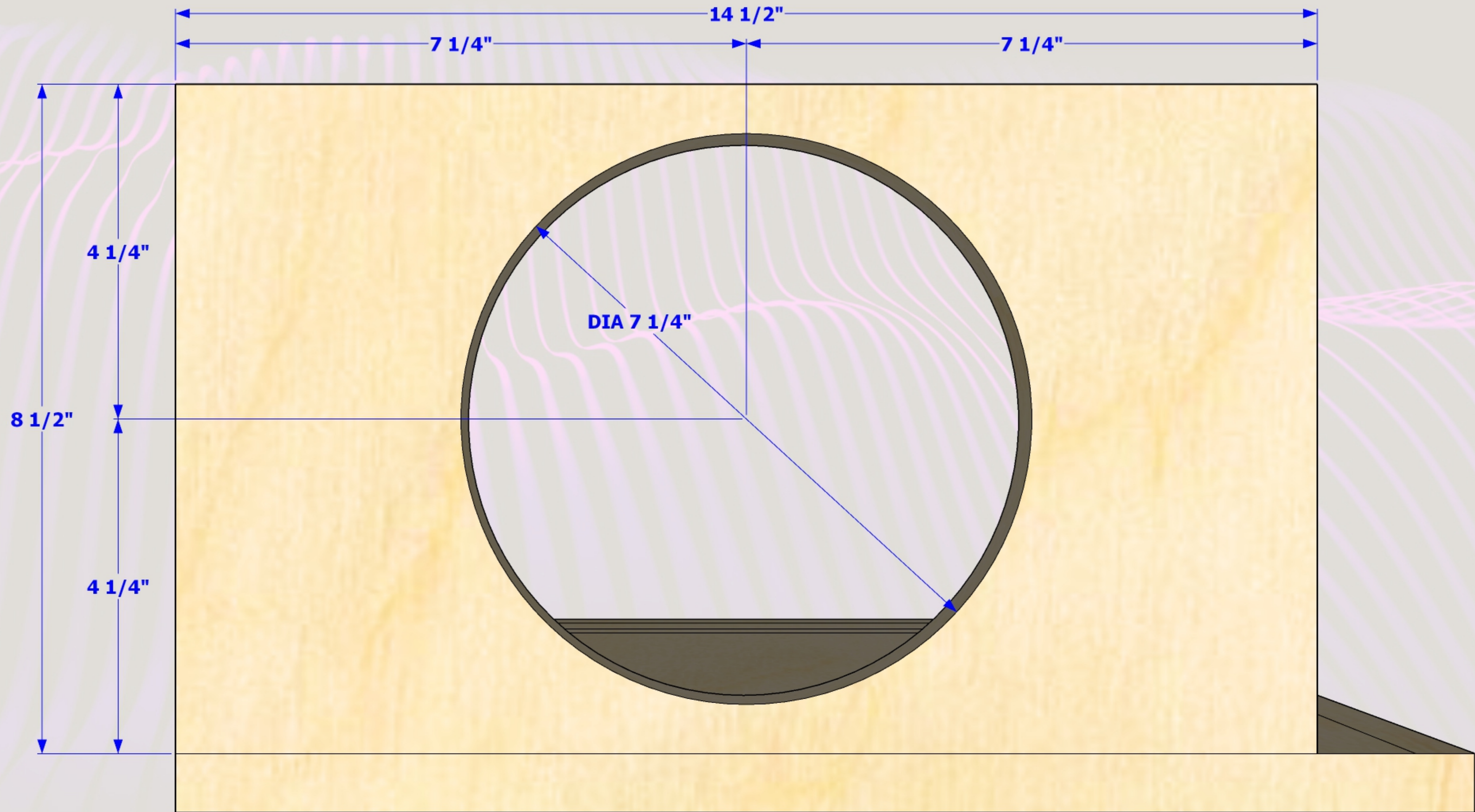
Total panels area (Quantity)	1,318.527 (11)
Used stocks total area (Yield)	4,608 (28.614 %)
Total cutting layouts	1
Total cuts length (Quantity)	245 (13)

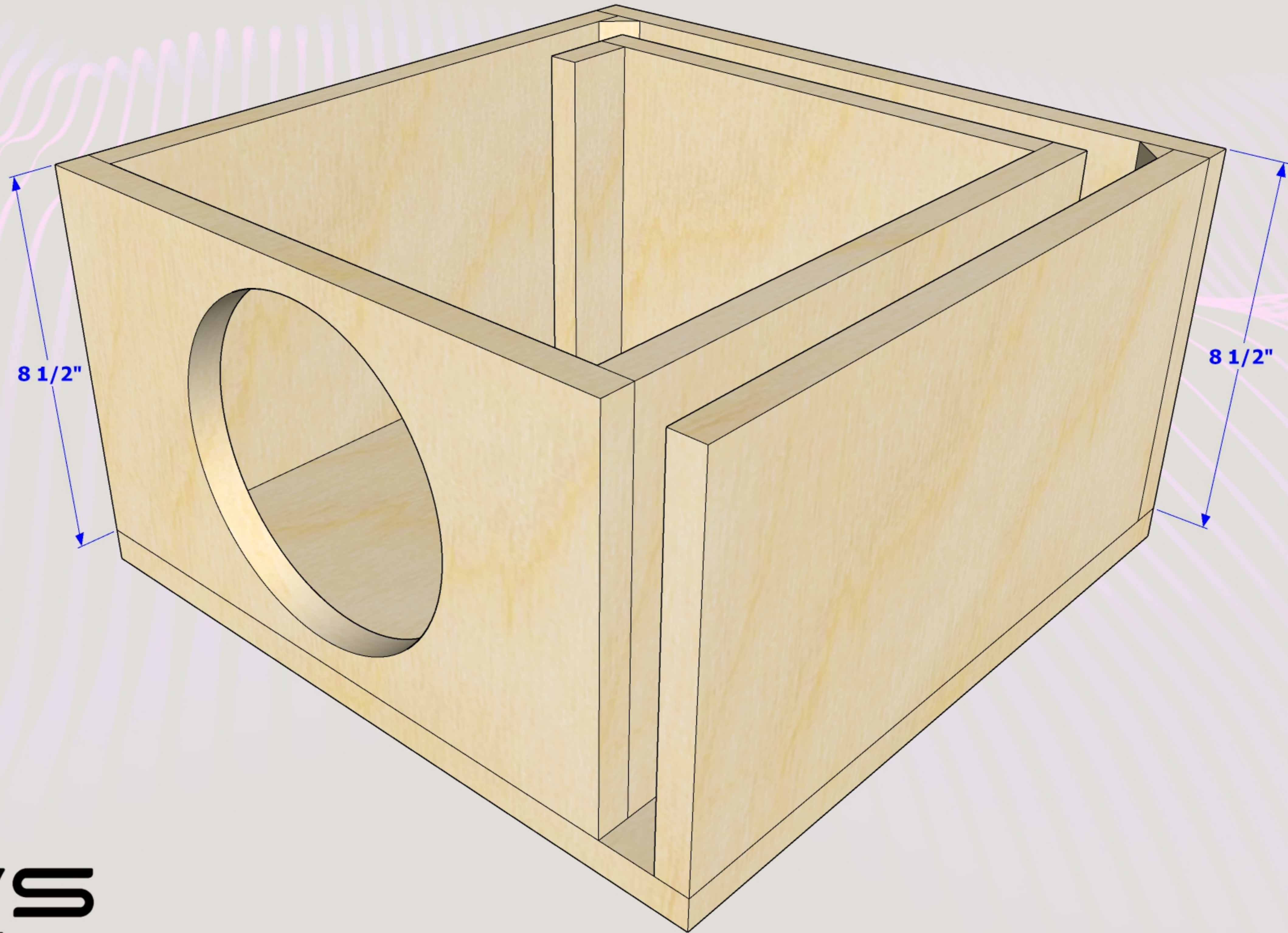
## Cutting layouts

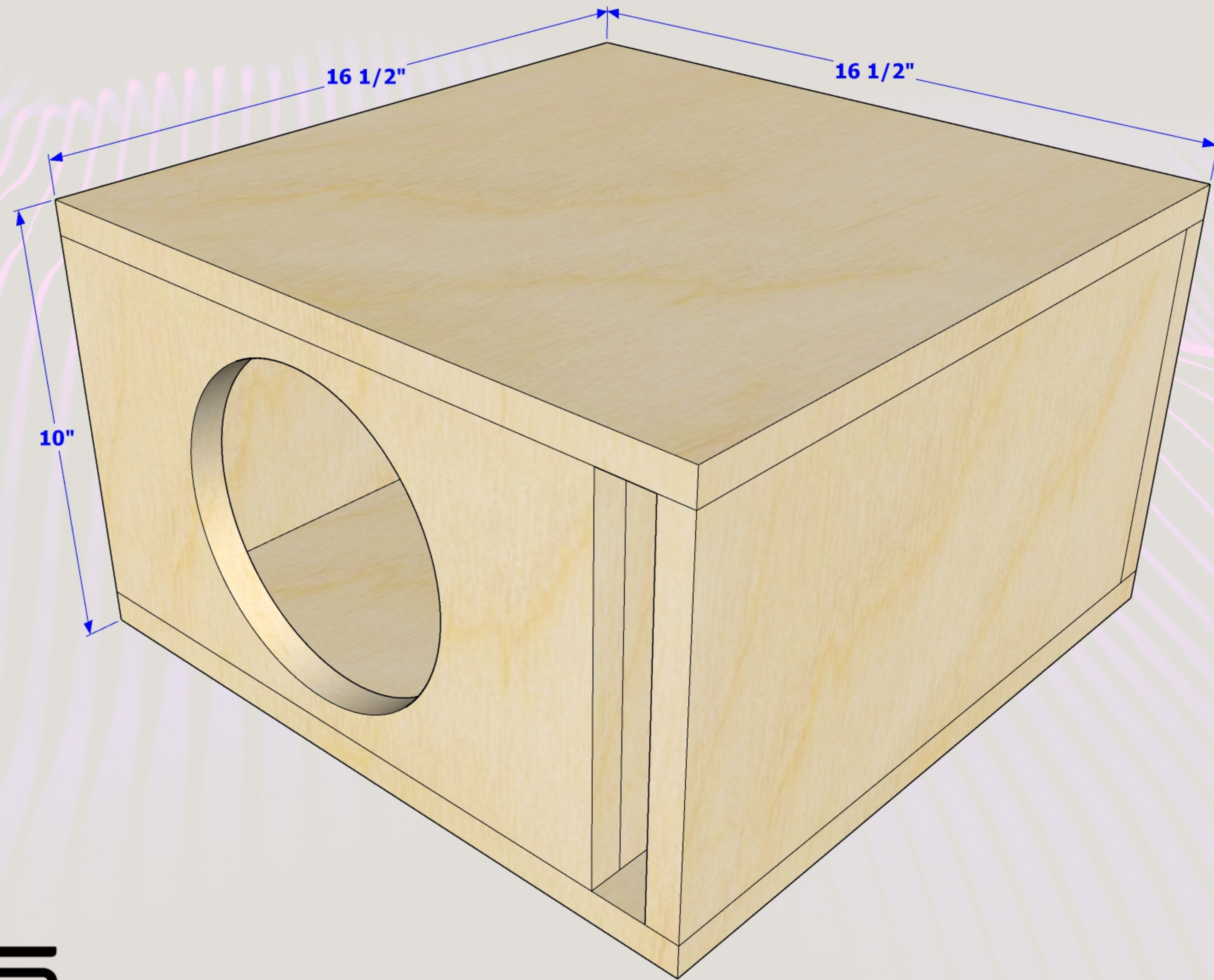
Layout ID	Repetition	Stock dimensions	Panel	Qty
A	1x	48 x 96	8.5 x 13.75 / Front Port Wall	1
			8.5 x 16.5 / Back	1
			8.5 x 1.75 / Side Port Wall	1
			8.5 x 14.5 / Front	1
			8.5 x 11.75 / Back Port Wall	1
			16.5 x 16.5 / Top/Bottom	2
			8.5 x 15.75 / Right Side	1
			8.5 x 15 / Left Side	1
			8.5 x 1.031 / Port Bend 45's	2
<b>Cuts in layout</b>				
The length of cuts				245
The number of cuts				13



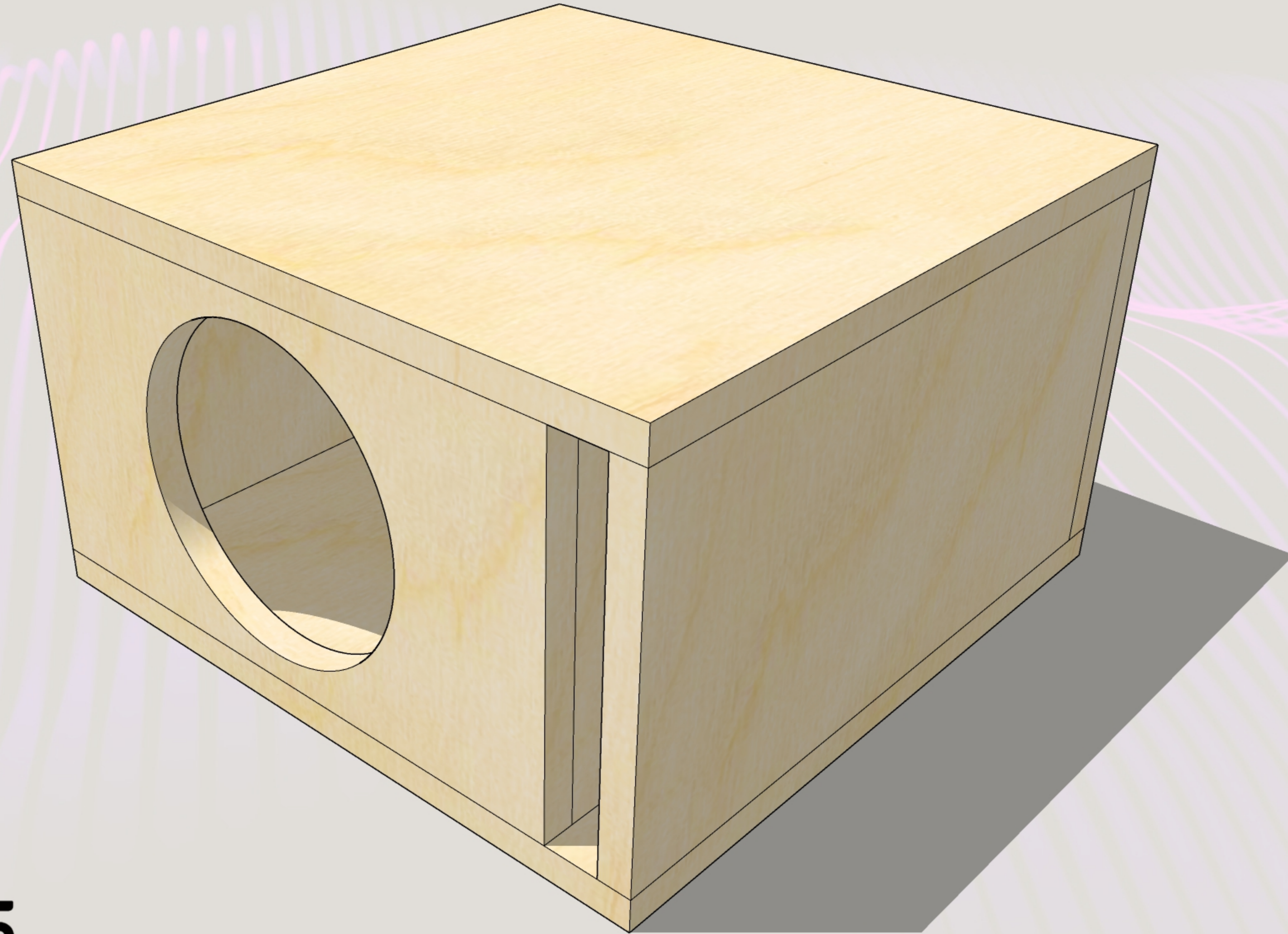












**ENZ DB'S**  
DESIGNS