

CUT LIST:

Top/Bottom - $16\frac{7}{8}$ " x 16.75" (2)

Left Side - 10.5" x 15.25"

Right Side - 10.5" x 16"

Front - 10.5" x $14\frac{7}{8}$ "

Back - 10.5" x $16\frac{7}{8}$ "

Front Port Wall - 10.5" x 14"

Back Port Wall - 10.5" x $12\frac{1}{8}$ "

Port Bend 45's - 10.5" x $1\frac{1}{32}$ " (2)

SPECS:

Volume - 1.0 ft³

Port Area - 13.1 in²

Port Tune - 32.5 Hz

Please do not change sub cutout locations, flush mount unless design has flush mounts, or add random 45's.

Panel Cutting Plan / optiCutter

Required stocks

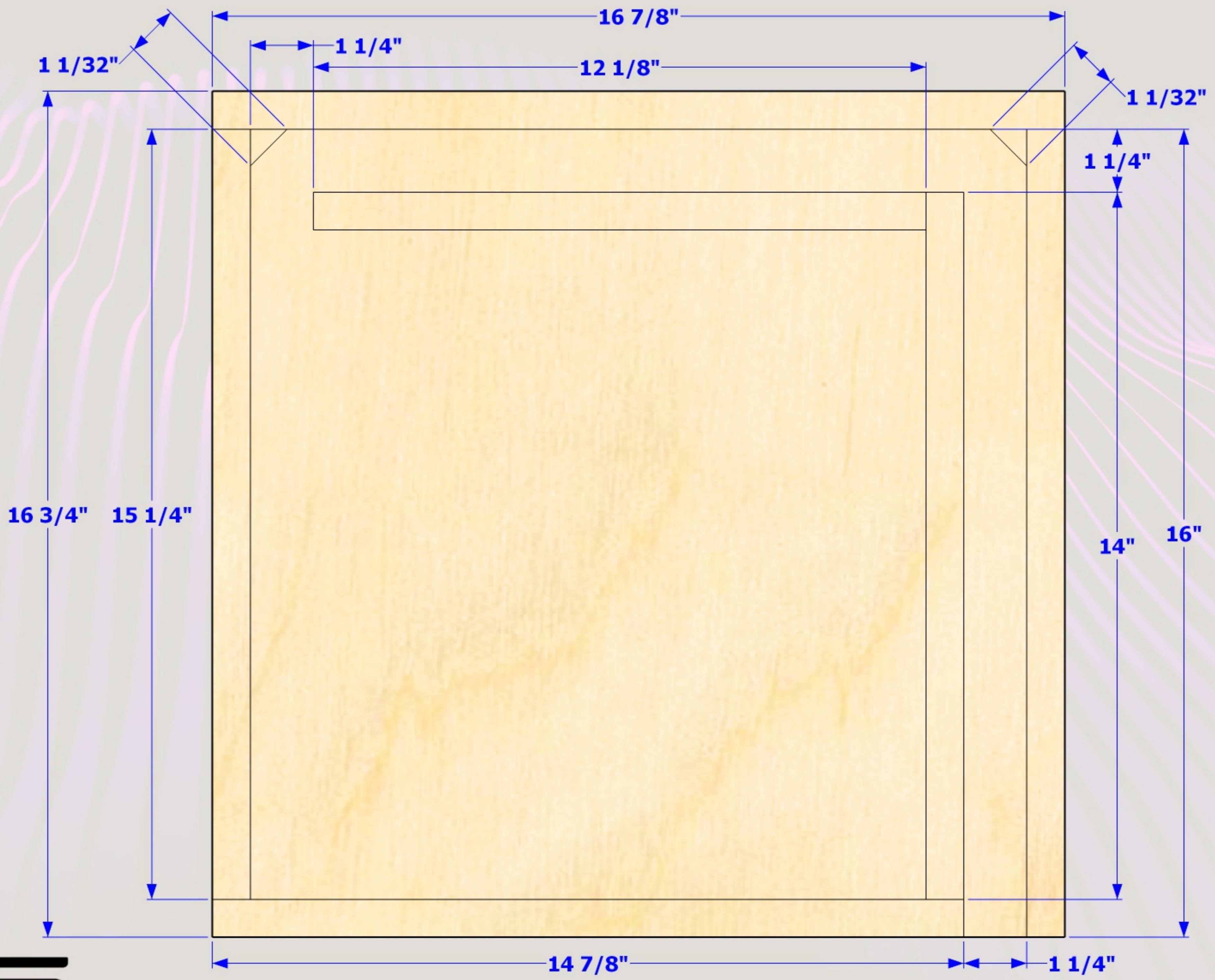
Stock dimensions	Quantity
48 x 96	1
Total	1

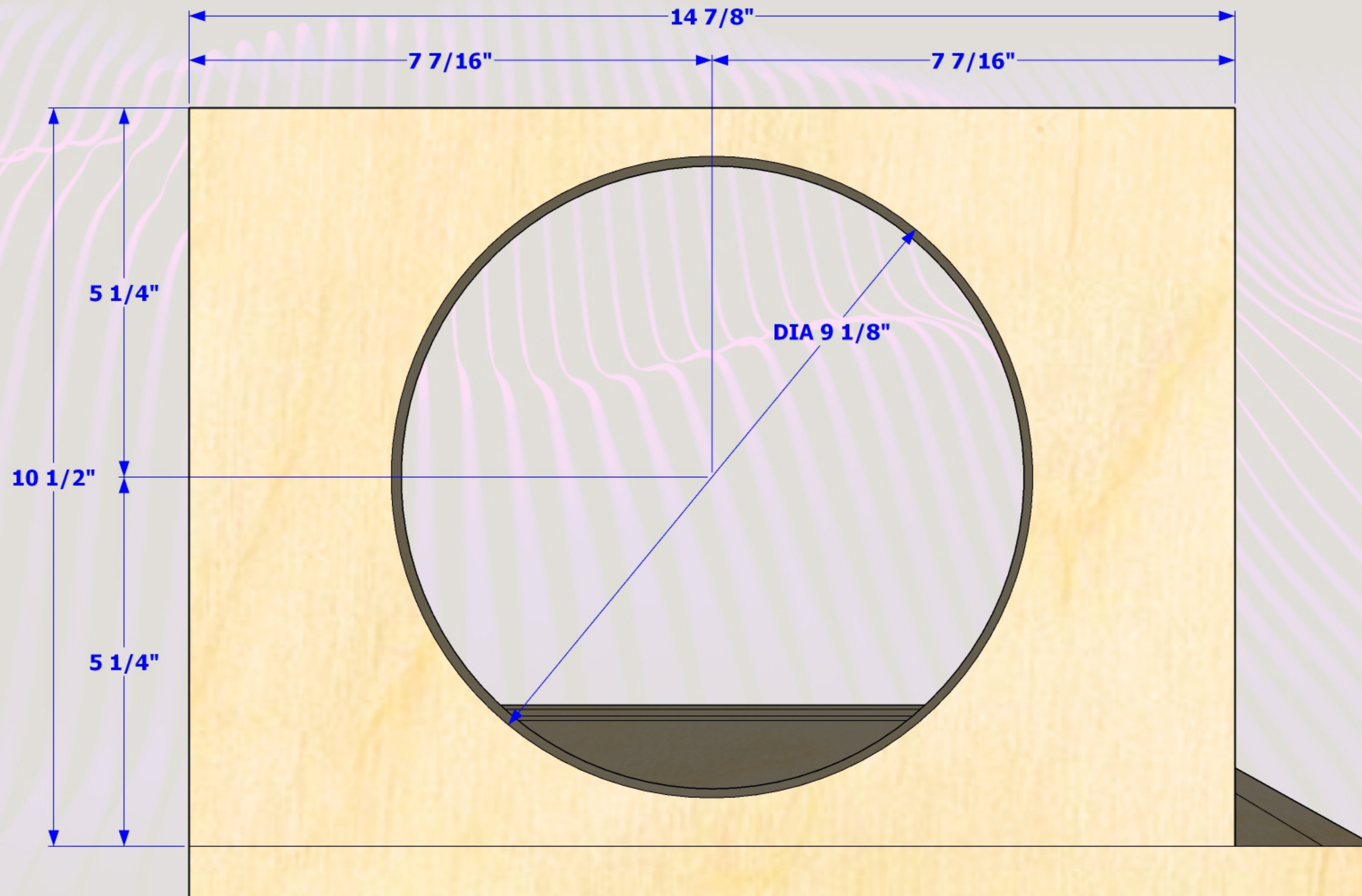
Total panels area (Quantity)	1,522.776 (10)
Used stocks total area (Yield)	4,608 (33.046 %)
Total cutting layouts	1
Total cuts length (Quantity)	269.812 (14)

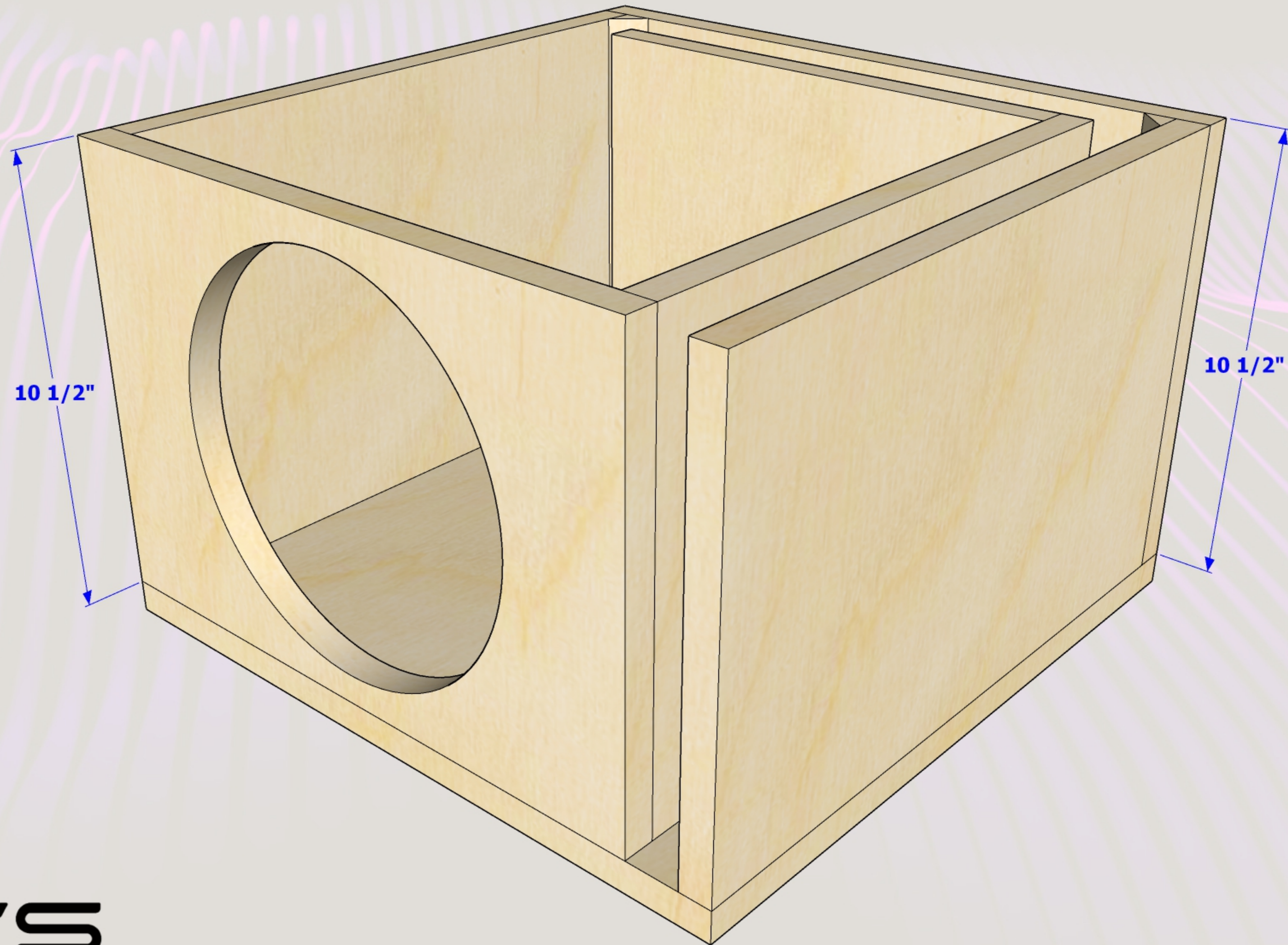
Cutting layouts

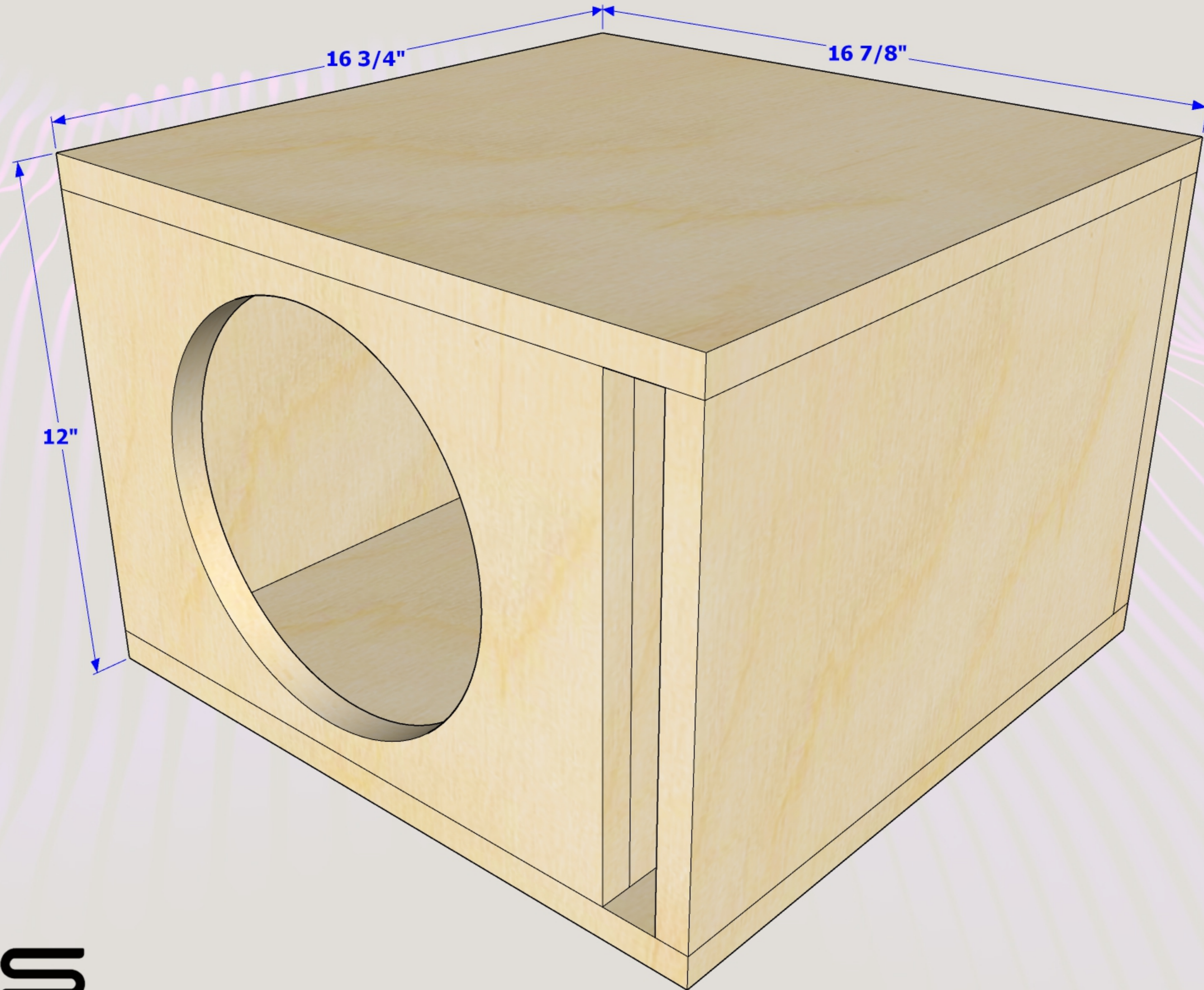
Layout ID	Repetition	Stock dimensions	Panel	Qty
A	1x	48 x 96	10.5 x 14.875 / Front	1
			10.5 x 15.25 / Left Side	1
			10.5 x 14 / Front Port Wall	1
			16.875 x 16.75 / Top/Bottom	2
			10.5 x 16 / Right Side	1
			10.5 x 12.125 / Back Port Wall	1
			1.031 x 10.5 / Port Bend 45's	2
			10.5 x 16.875 / Back	1
Cuts in layout				
			The length of cuts	269.812
			The number of cuts	14

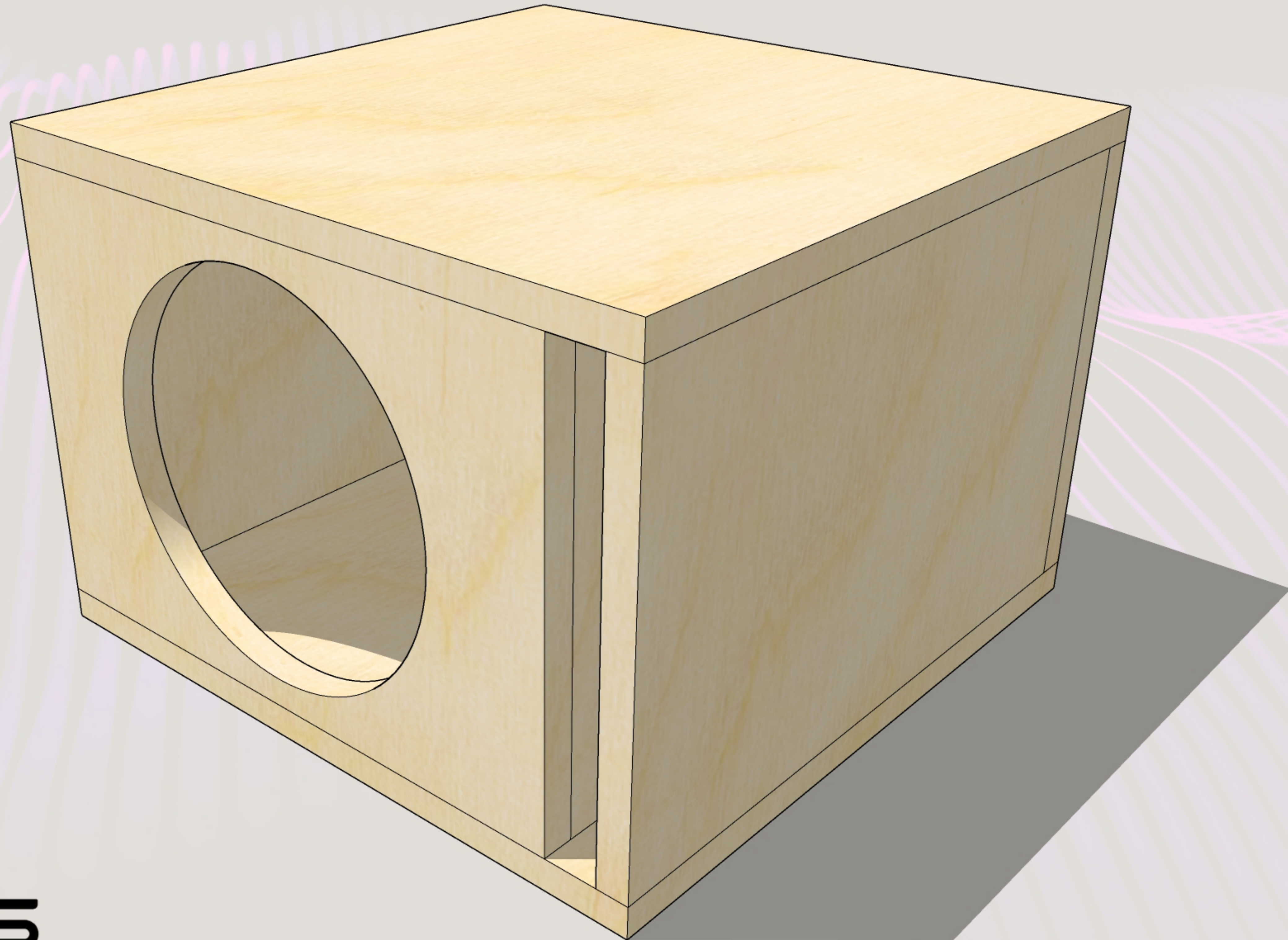












ENZ DB'S
DESIGNS