

CUT LIST:

Top/Bottom - $19\frac{7}{8}$ " x $19\frac{7}{8}$ " (2)

Left Side - 12.5 " x $18\frac{3}{8}$ "

Right Side - 12.5 " x $19\frac{1}{8}$ "

Front - 12.5 " x $17\frac{1}{8}$ "

Back - 12.5 " x $19\frac{7}{8}$ "

Front Port Wall - 12.5 " x $16\frac{3}{8}$ "

Back Port Wall - 12.5 " x $10\frac{3}{8}$ "

Port Bend 45 - 12.5 " x $1\frac{21}{32}$ "

SPECS:

Volume - 1.75 ft^3

Port Area - 25.0 in^2

Port Tune - 33 Hz

Please do not change sub cutout locations, flush mount unless design has flush mounts, or add random 45's.

Panel Cutting Plan / optiCutter

Required stocks

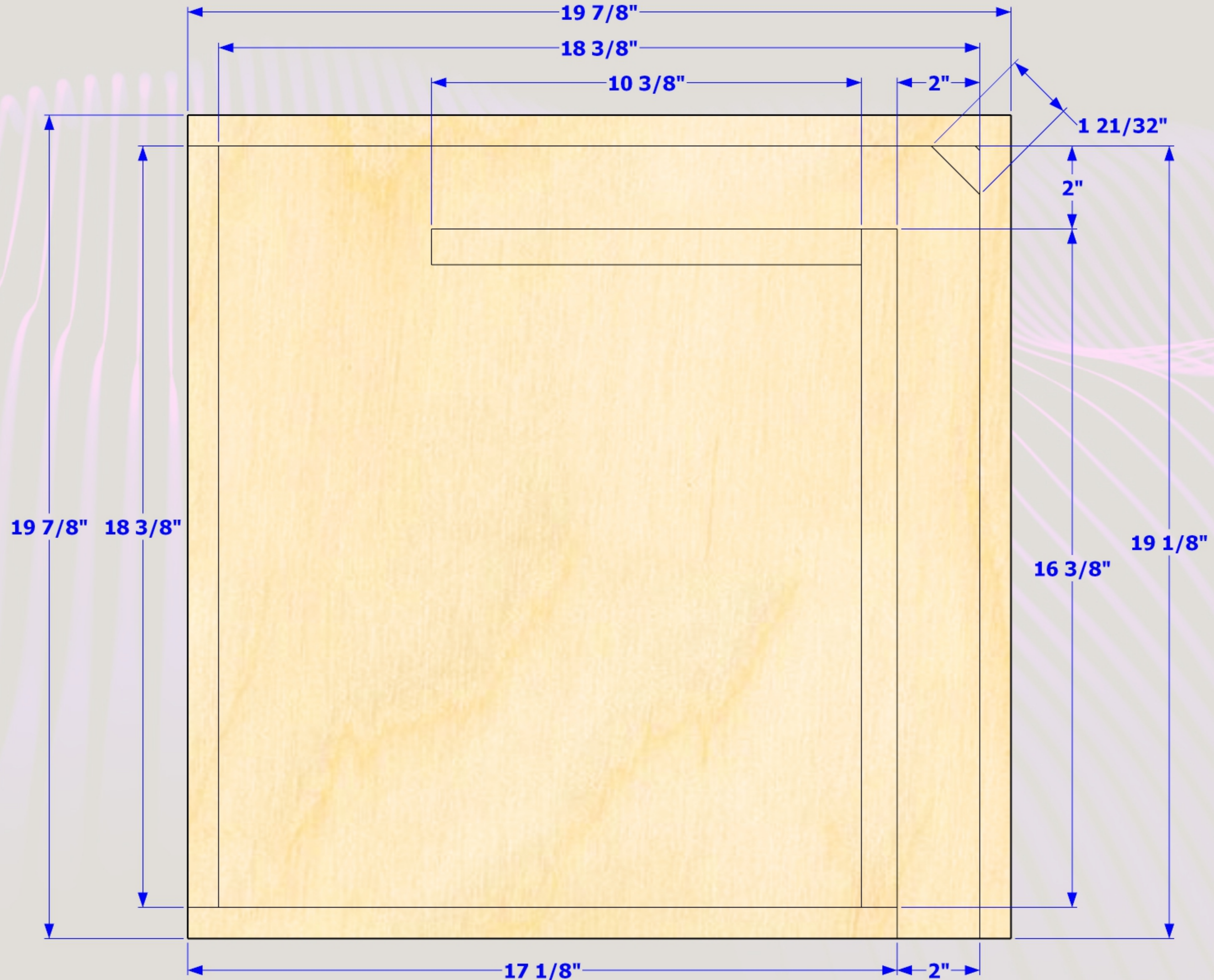
Stock dimensions	Quantity
48 x 96	1
Total	1

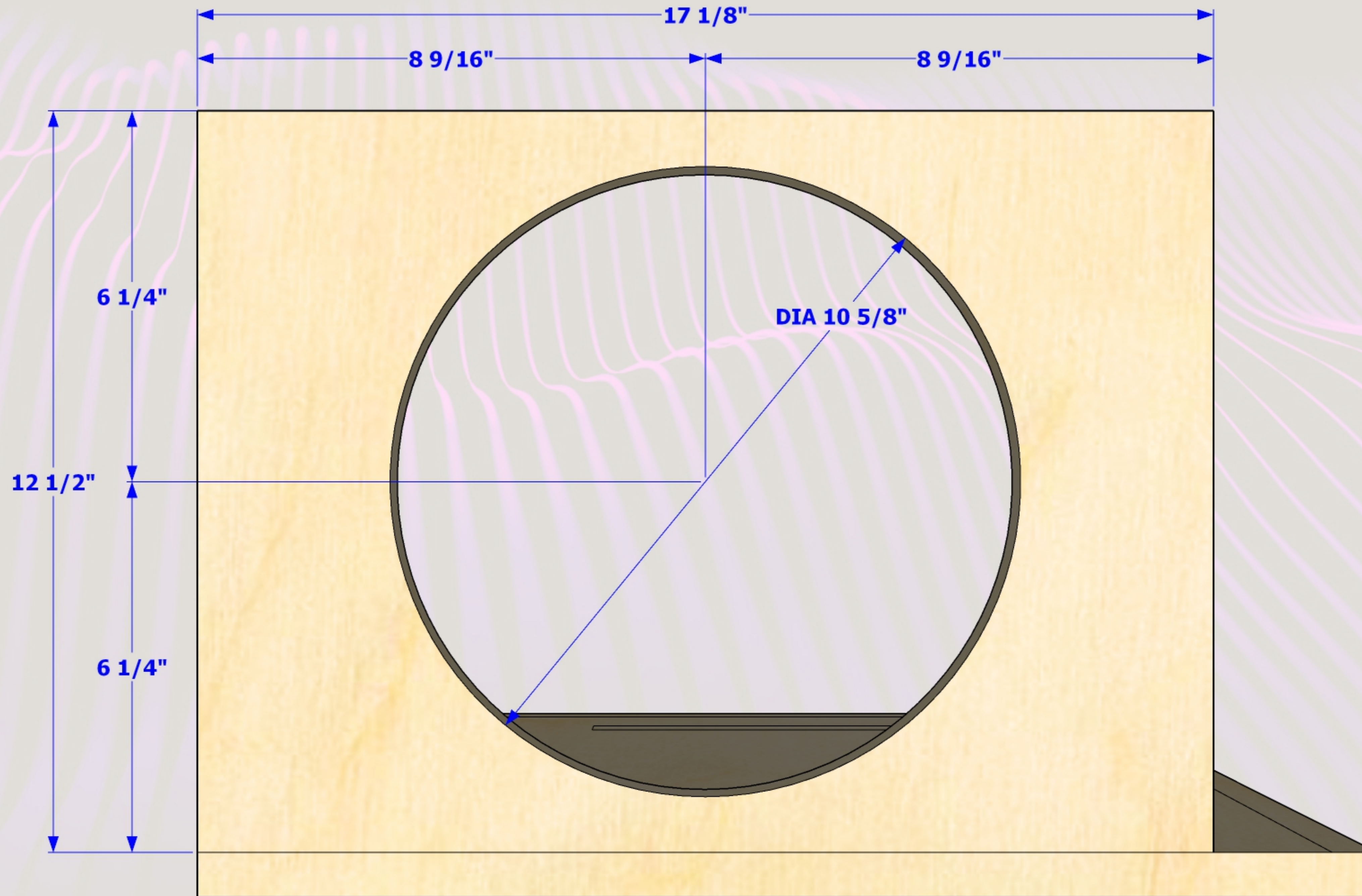
Total panels area (Quantity)	2,097.056 (10)
Used stocks total area (Yield)	4,608 (45.509 %)
Total cutting layouts	1
Total cuts length (Quantity)	339.906 (16)

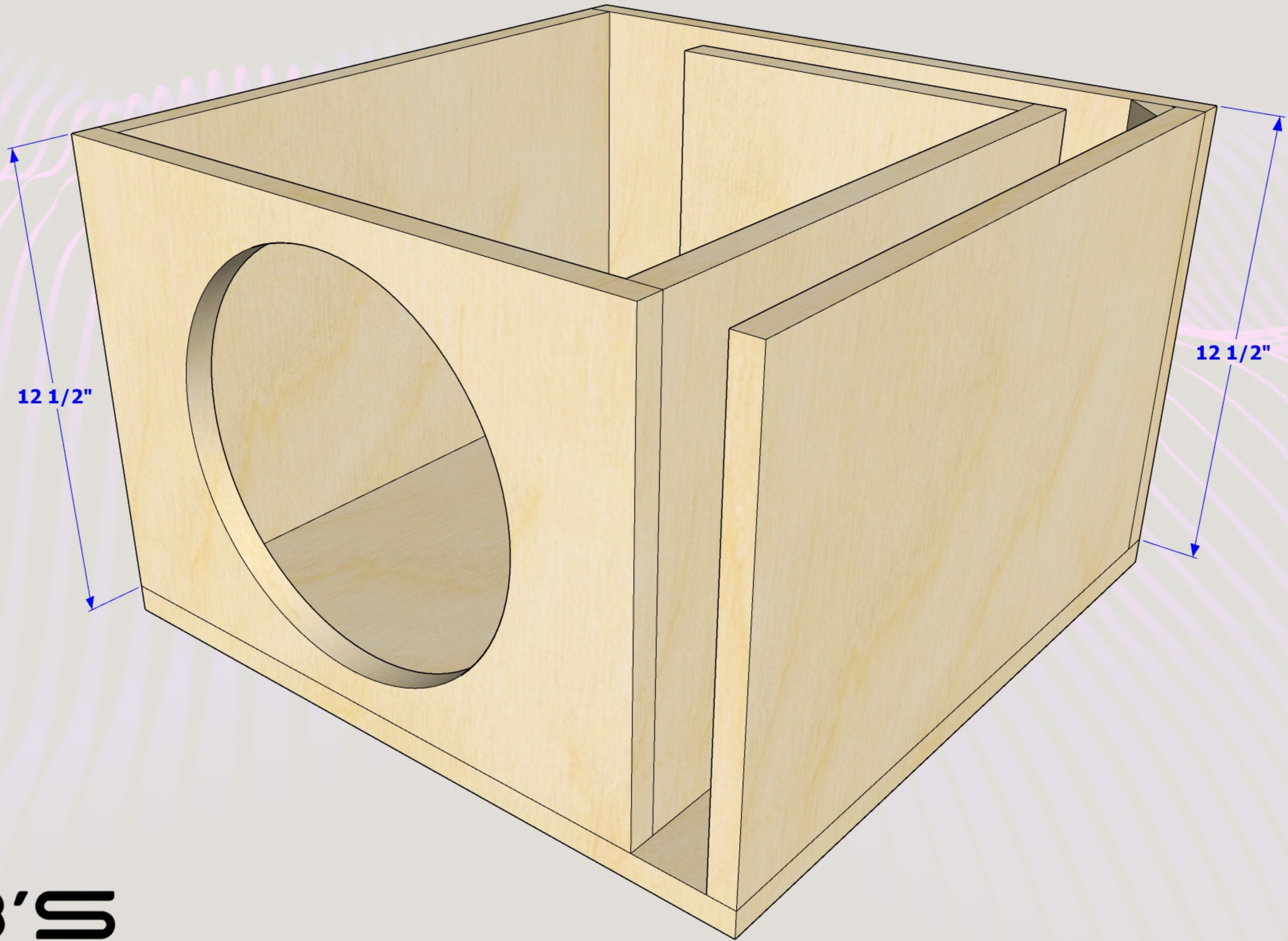
Cutting layouts

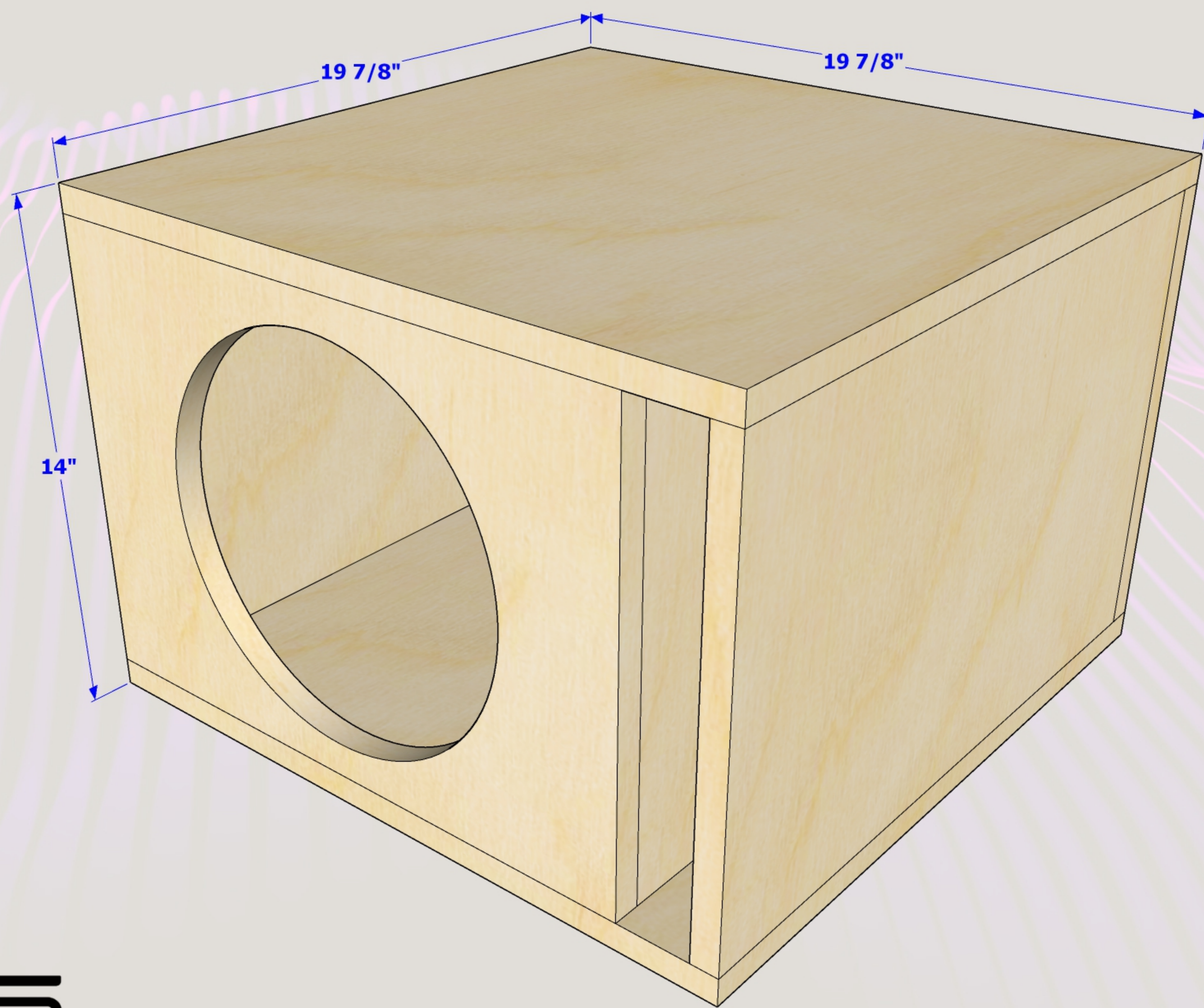
Layout ID A	Repetition 1x	Stock dimensions 48 x 96	Panel Qty	
			10.375 x 12.5 / Back Port Wall	1
			19.875 x 19.875 / Top/Bottom	2
			19.875 x 12.5 / Back	1
			1.656 x 12.5 / Port Bend 45	2
			19.125 x 12.5 / Right Side	1
			16.375 x 12.5 / Front Port Wall	1
			17.125 x 12.5 / Front	1
			18.375 x 12.5 / Left Side	1
Cuts in layout				
			The length of cuts	339.906
			The number of cuts	16

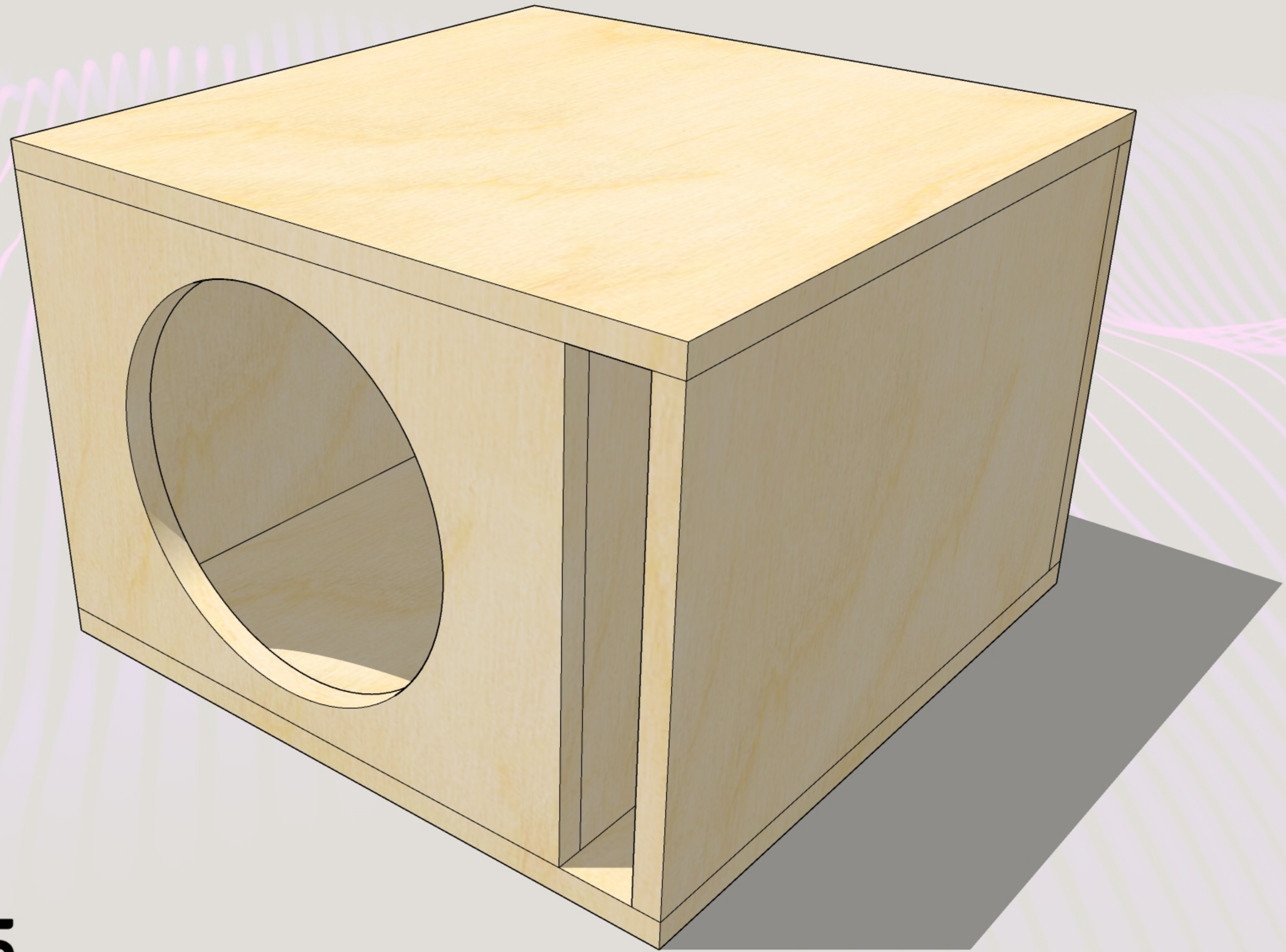












ENZ DB'S
DESIGNS