

CUT LIST:

Top/Bottom - 19.25" x 19.25" (2)

Left Side - 10^{-5/8}" x 17"

Right Side - 10^{-5/8}" x 18.5"

Front - 10^{-5/8}" x 16^{-5/8}" (2)

Back - 10^{-5/8}" x 19.25"

Front Port Wall - 10^{-5/8}" x 15^{-1/8}"

Back Port Wall - 10^{-5/8}" x 11^{-7/16}"

Port Bend 45 - 10^{-5/8}" x 1^{-9/16}"

SPECS:

Volume - 1.25 ft³

Port Area - 19.9 in²

Port Tune - 35 Hz

Please do not change sub cutout locations, flush mount unless design has flush mounts, or add random 45's.

Panel Cutting Plan / **optiCutter**

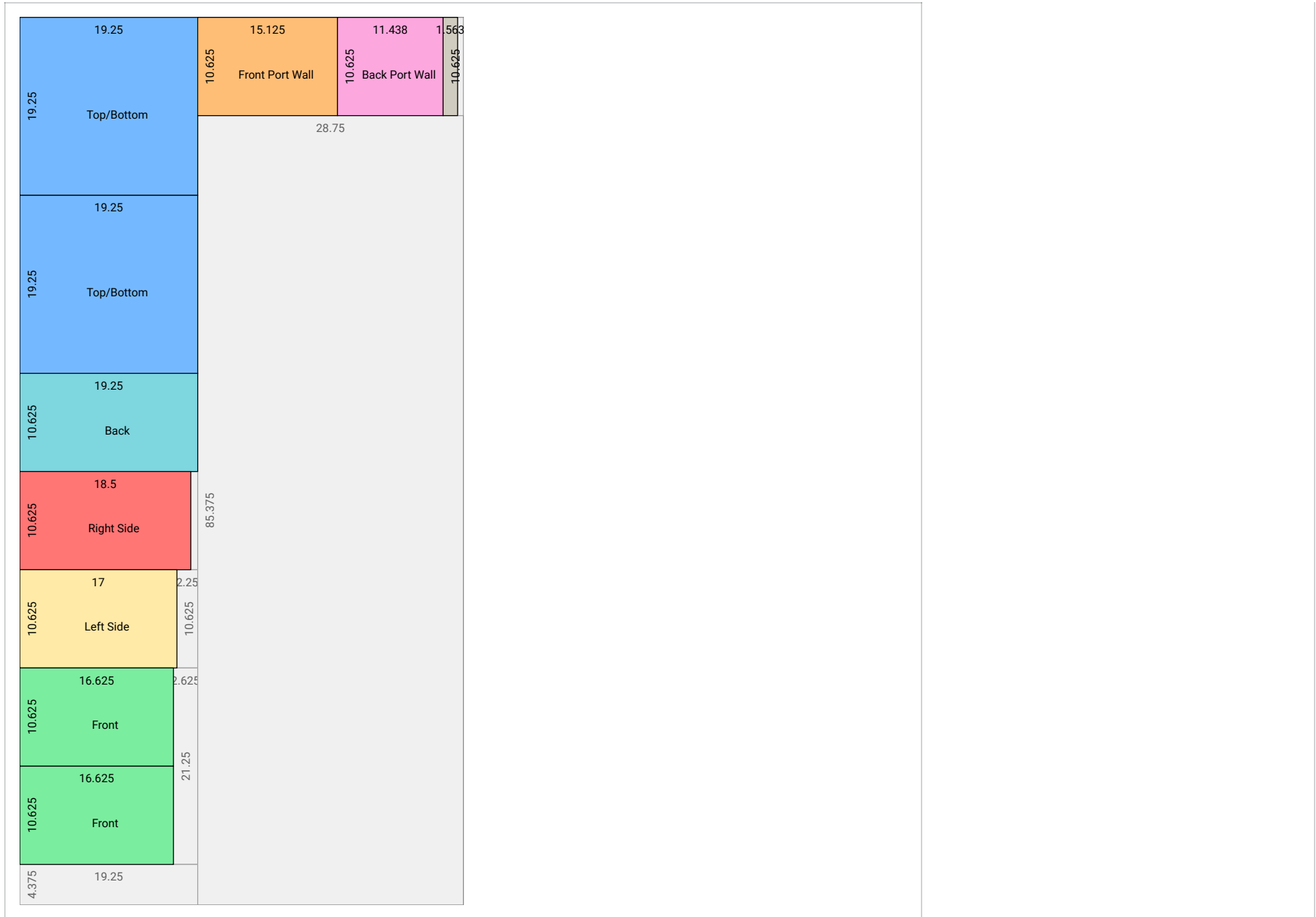
Required stocks

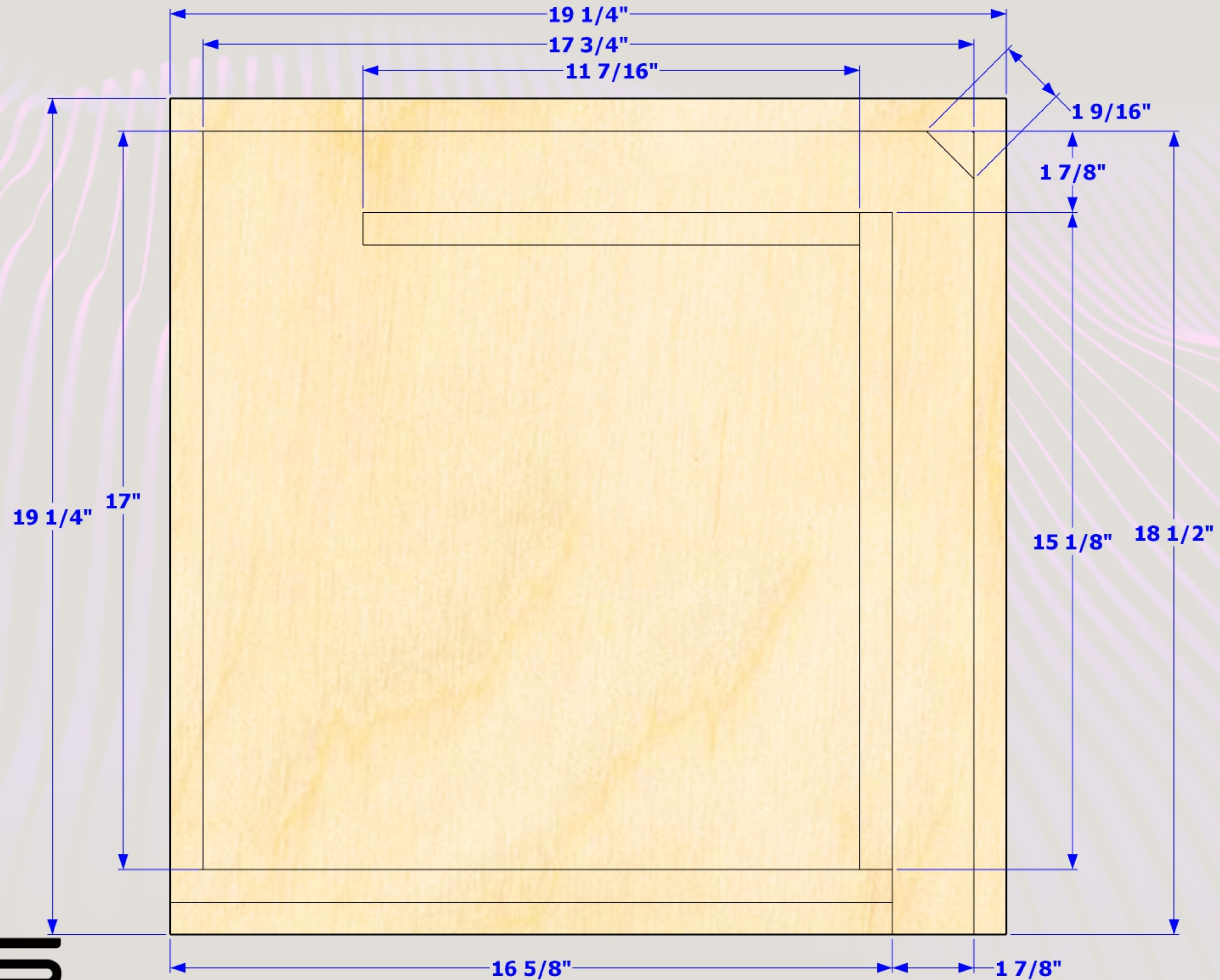
Stock dimensions	Quantity
48 x 96	1
Total	1

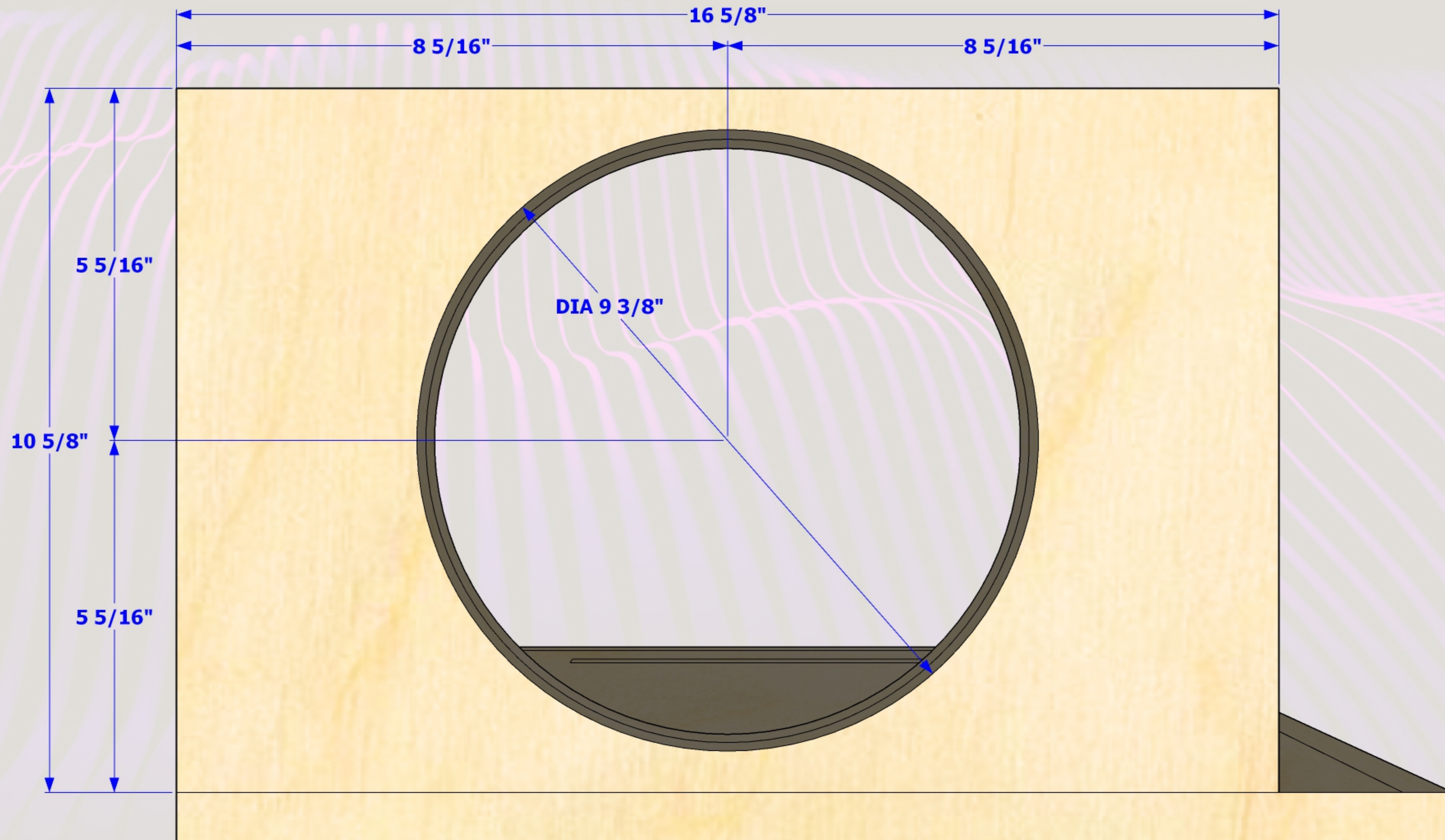
Total panels area (Quantity)	1,974.964 (10)
Used stocks total area (Yield)	4,608 (42.859 %)
Total cutting layouts	1
Total cuts length (Quantity)	331.25 (15)

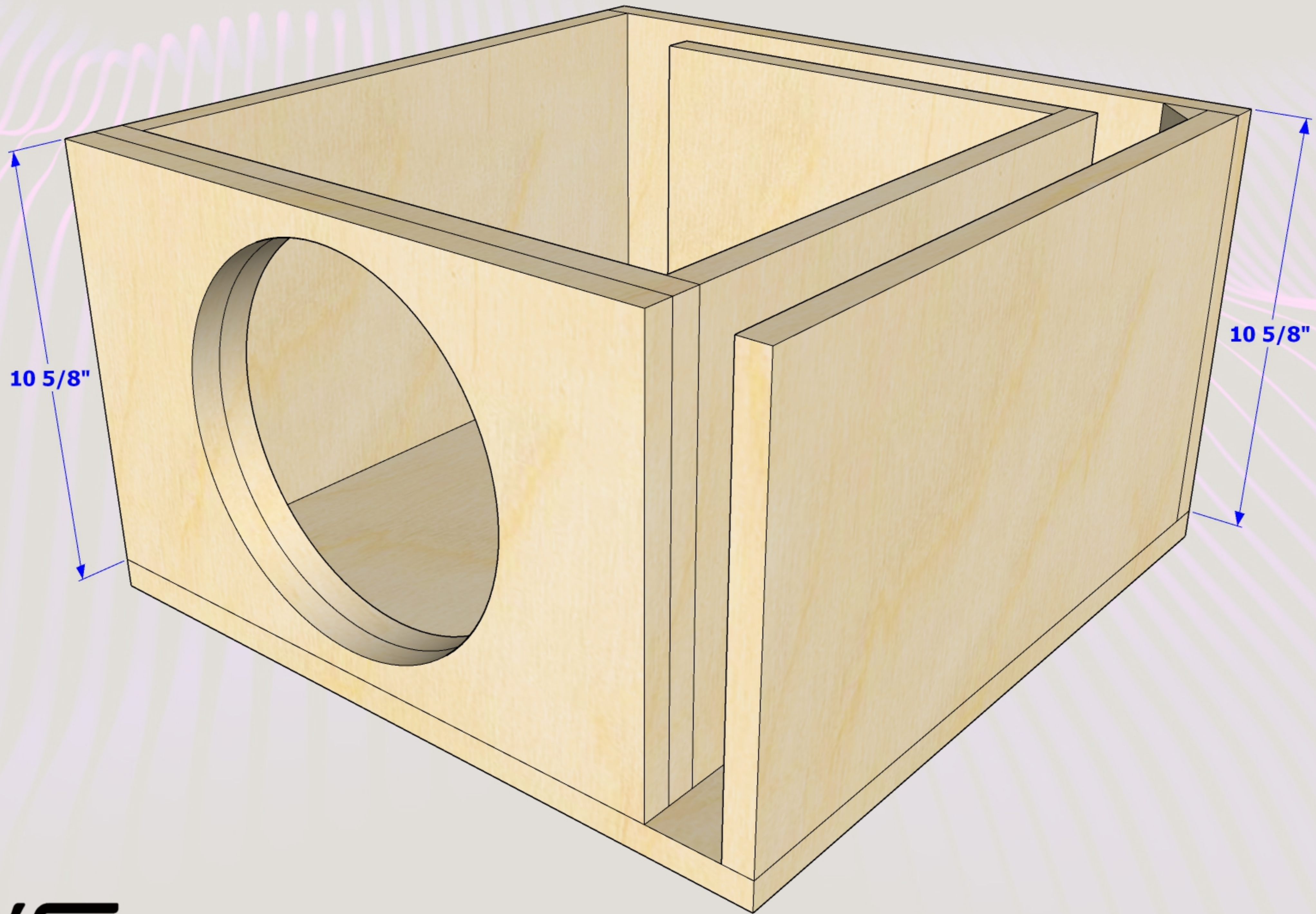
Cutting layouts

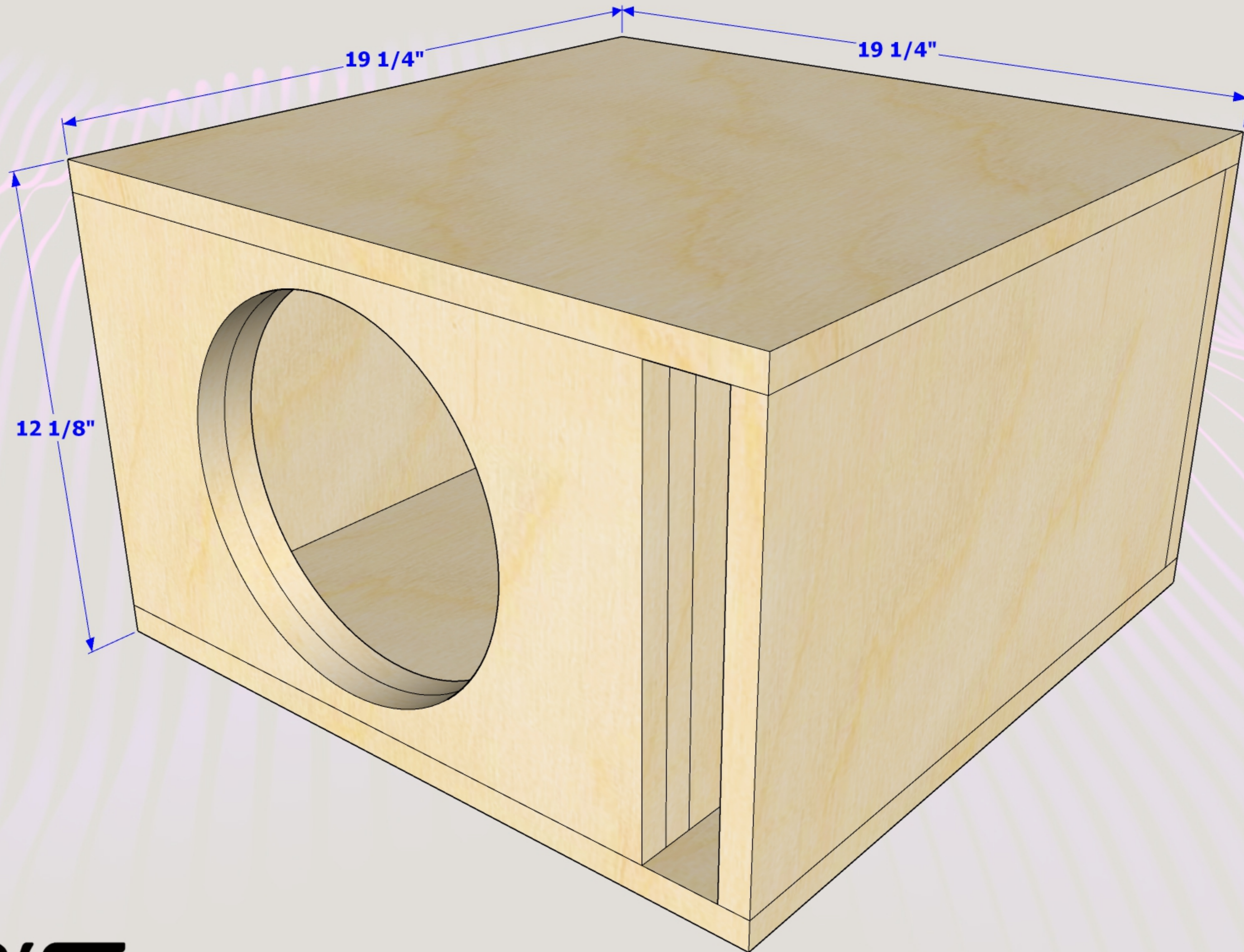
Layout ID	Repetition	Stock dimensions	Panel	Qty
A	1x	48 x 96	16.625 x 10.625 / Front	2
			1.563 x 10.625 / Port Bend 45	1
			17 x 10.625 / Left Side	1
			11.438 x 10.625 / Back Port Wall	1
			18.5 x 10.625 / Right Side	1
			15.125 x 10.625 / Front Port Wall	1
			19.25 x 19.25 / Top/Bottom	2
			19.25 x 10.625 / Back	1
Cuts in layout				
The length of cuts				331.25
The number of cuts				15

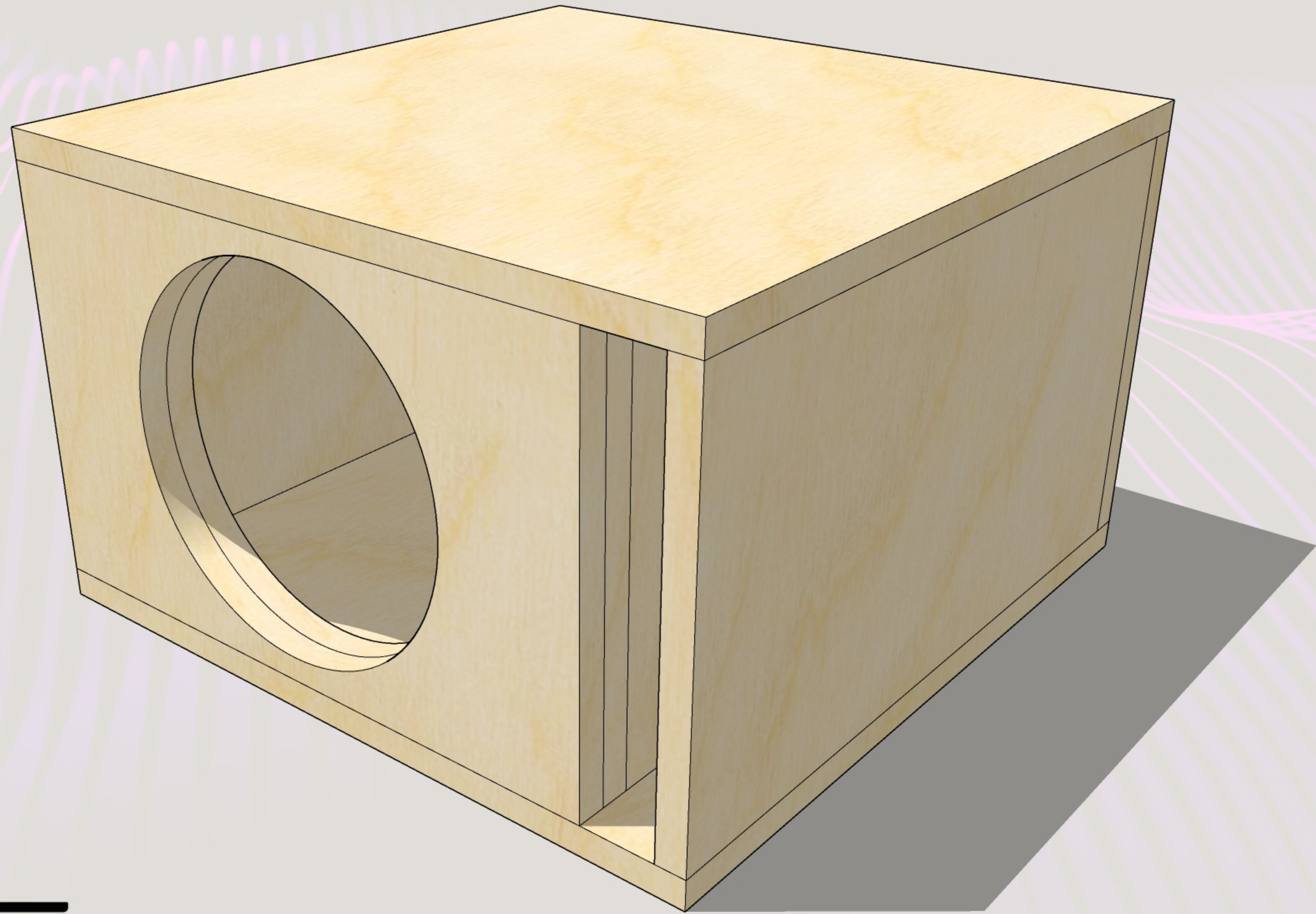












ENZ DB'S
DESIGNS