

CUT LIST:

Top/Bottom - $21\frac{3}{8}$ " x $21\frac{3}{8}$ " (2)

Left Side - $12\frac{7}{8}$ " x $19\frac{1}{8}$ "

Right Side - $12\frac{7}{8}$ " x $20\frac{5}{8}$ "

Front - $12\frac{7}{8}$ " x $18\frac{1}{8}$ " (2)

Back - $12\frac{7}{8}$ " x $21\frac{3}{8}$ "

Front Port Wall - $12\frac{7}{8}$ " x $16\frac{5}{8}$ "

Back Port Wall - $12\frac{7}{8}$ " x 8.25"

Port Bend 45 - $12\frac{7}{8}$ " x $2\frac{1}{16}$ "

SPECS:

Volume - 2.0 ft³

Port Area - 32.2 in²

Port Tune - 35 Hz

Please do not change sub cutout locations, flush mount unless design has flush mounts, or add random 45's.

Panel Cutting Plan / **optiCutter**

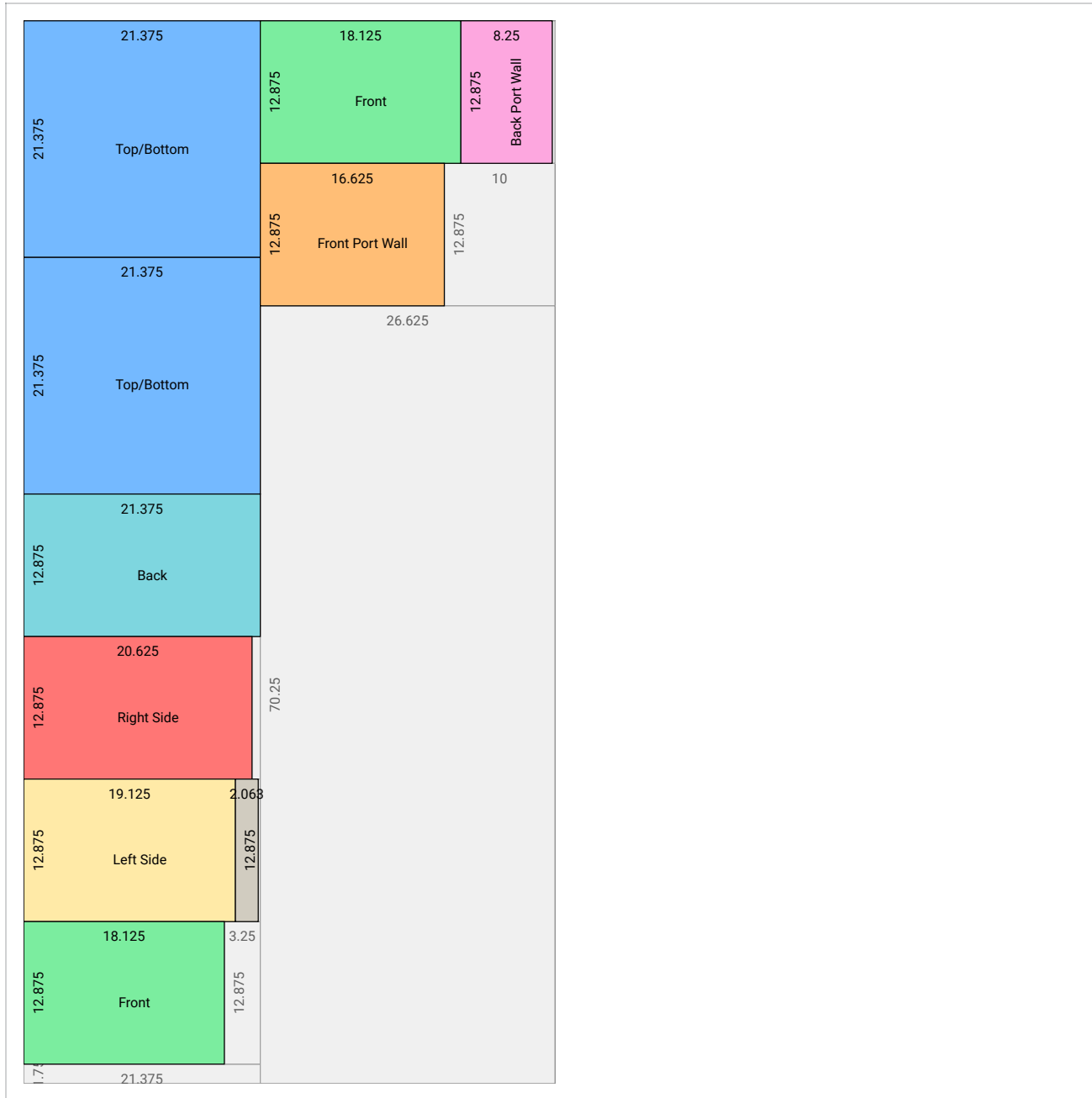
Required stocks

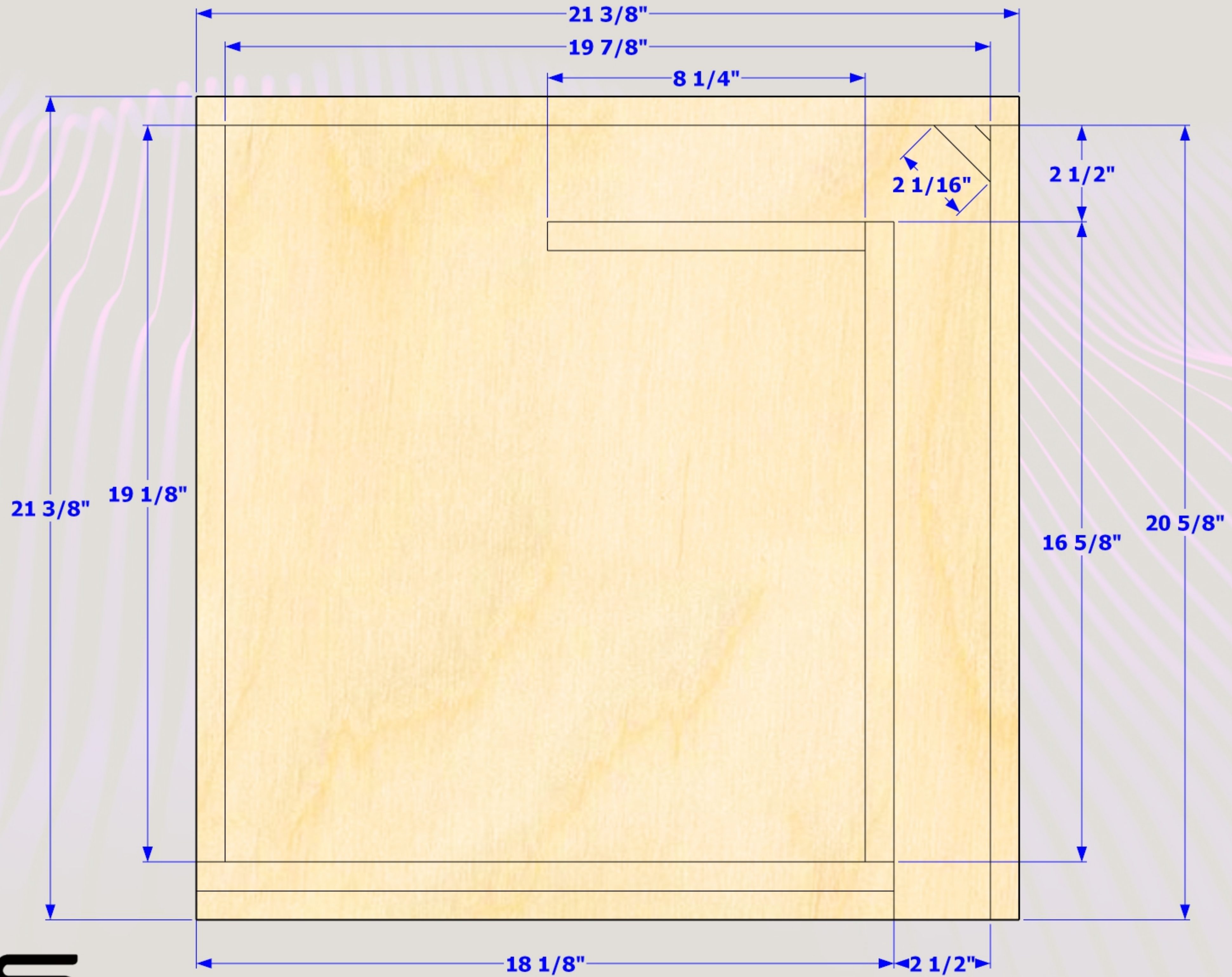
Stock dimensions	Quantity
48 x 96	1
Total	1

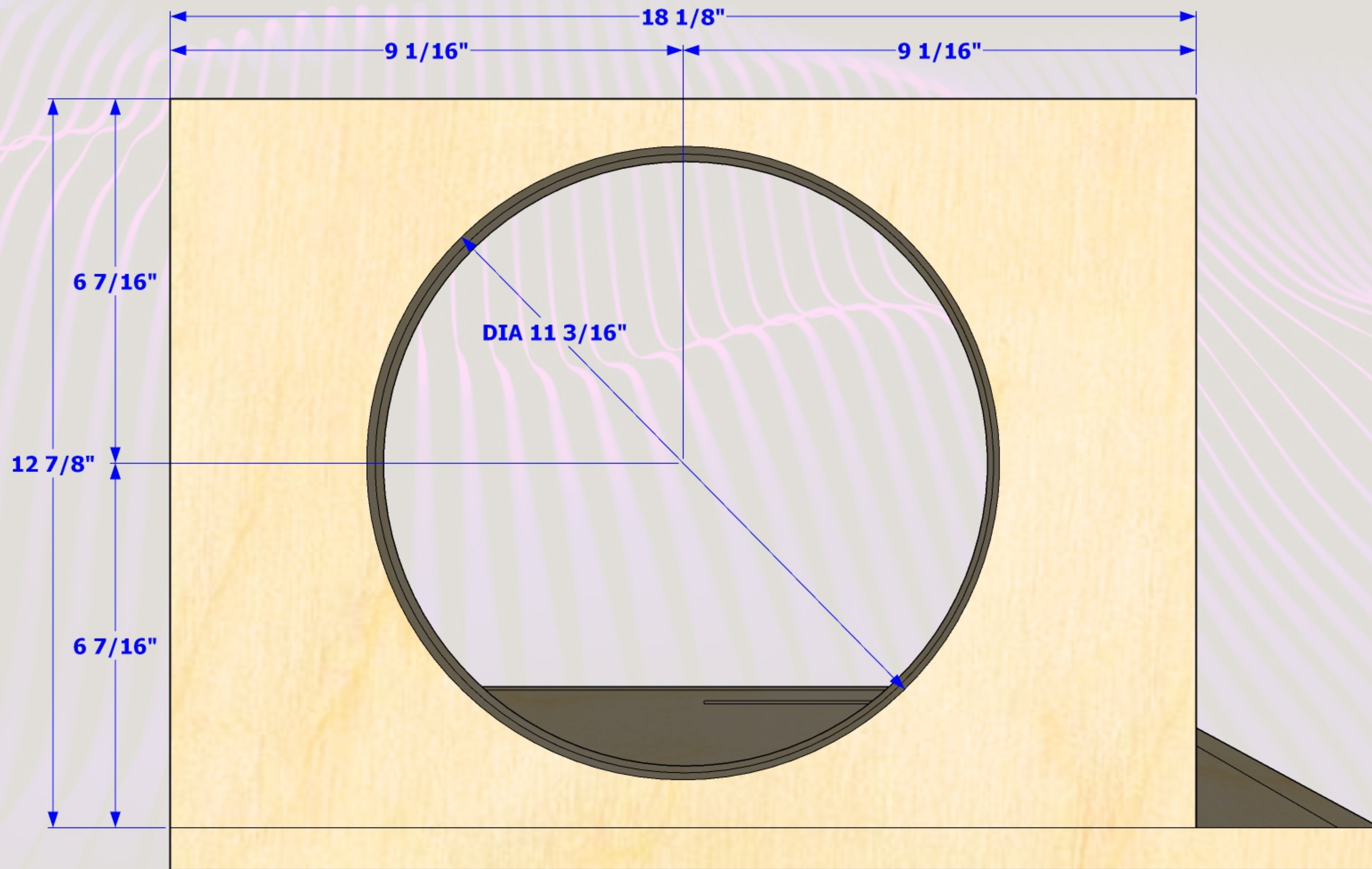
Total panels area (Quantity)	2,514.311 (10)
Used stocks total area (Yield)	4,608 (54.564 %)
Total cutting layouts	1
Total cuts length (Quantity)	367.625 (16)

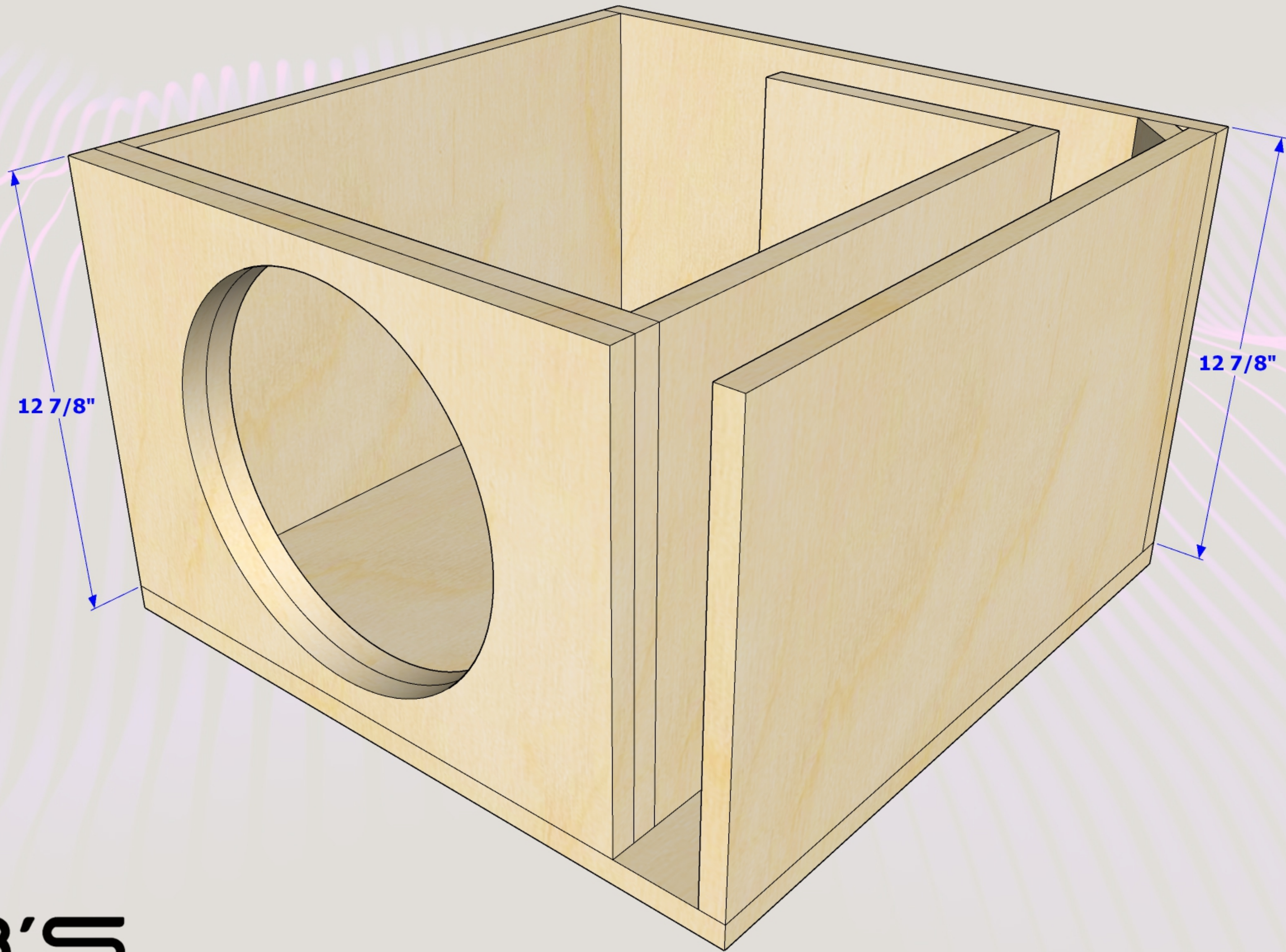
Cutting layouts

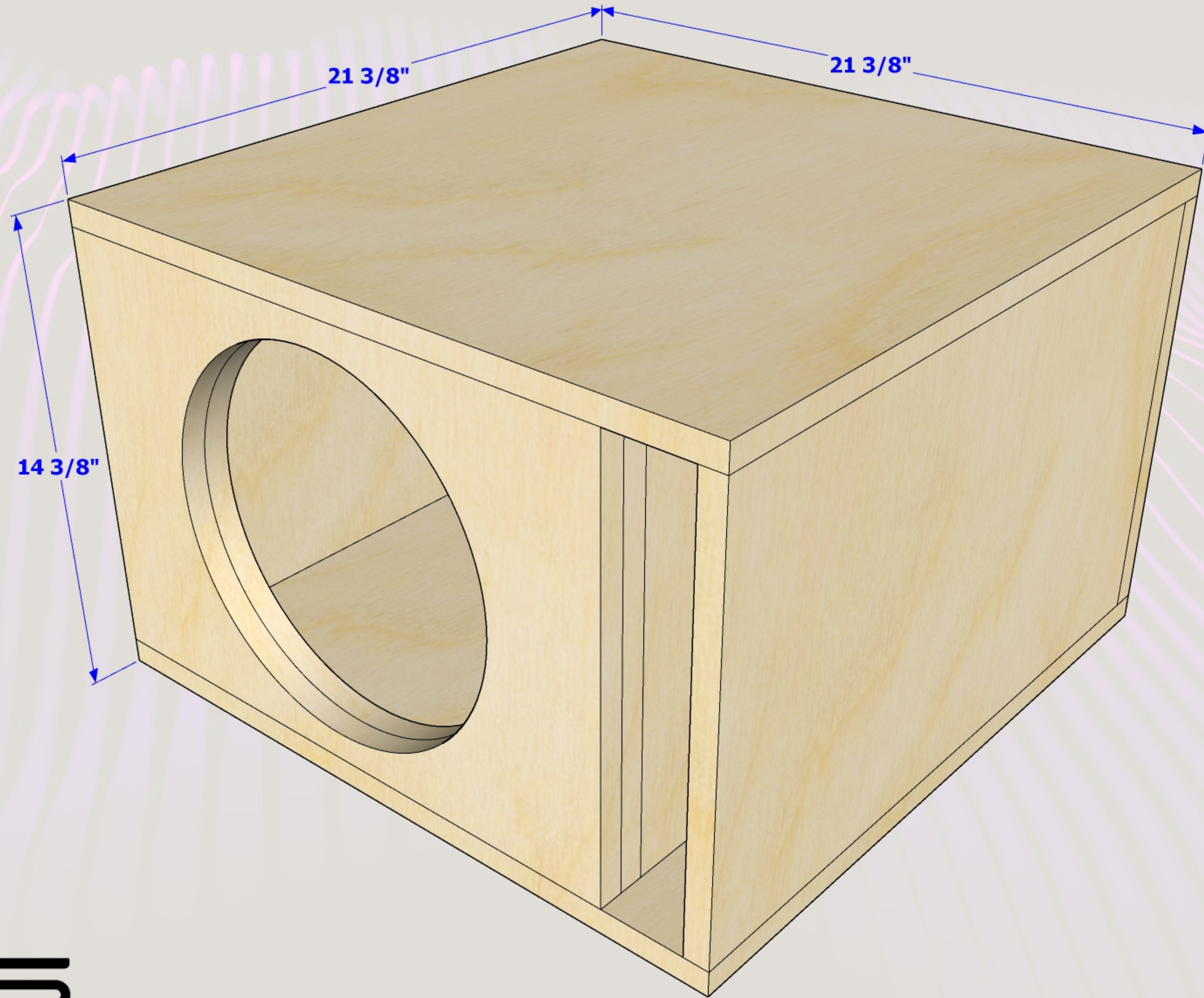
Layout ID	Repetition	Stock dimensions	Panel	Qty
A	1x	48 x 96	21.375 x 12.875 / Back	1
			8.25 x 12.875 / Back Port Wall	1
			20.625 x 12.875 / Right Side	1
			18.125 x 12.875 / Front	2
			16.625 x 12.875 / Front Port Wall	1
			21.375 x 21.375 / Top/Bottom	2
			19.125 x 12.875 / Left Side	1
			2.063 x 12.875 / Port Bend 45	1
Cuts in layout				
The length of cuts				367.625
The number of cuts				16



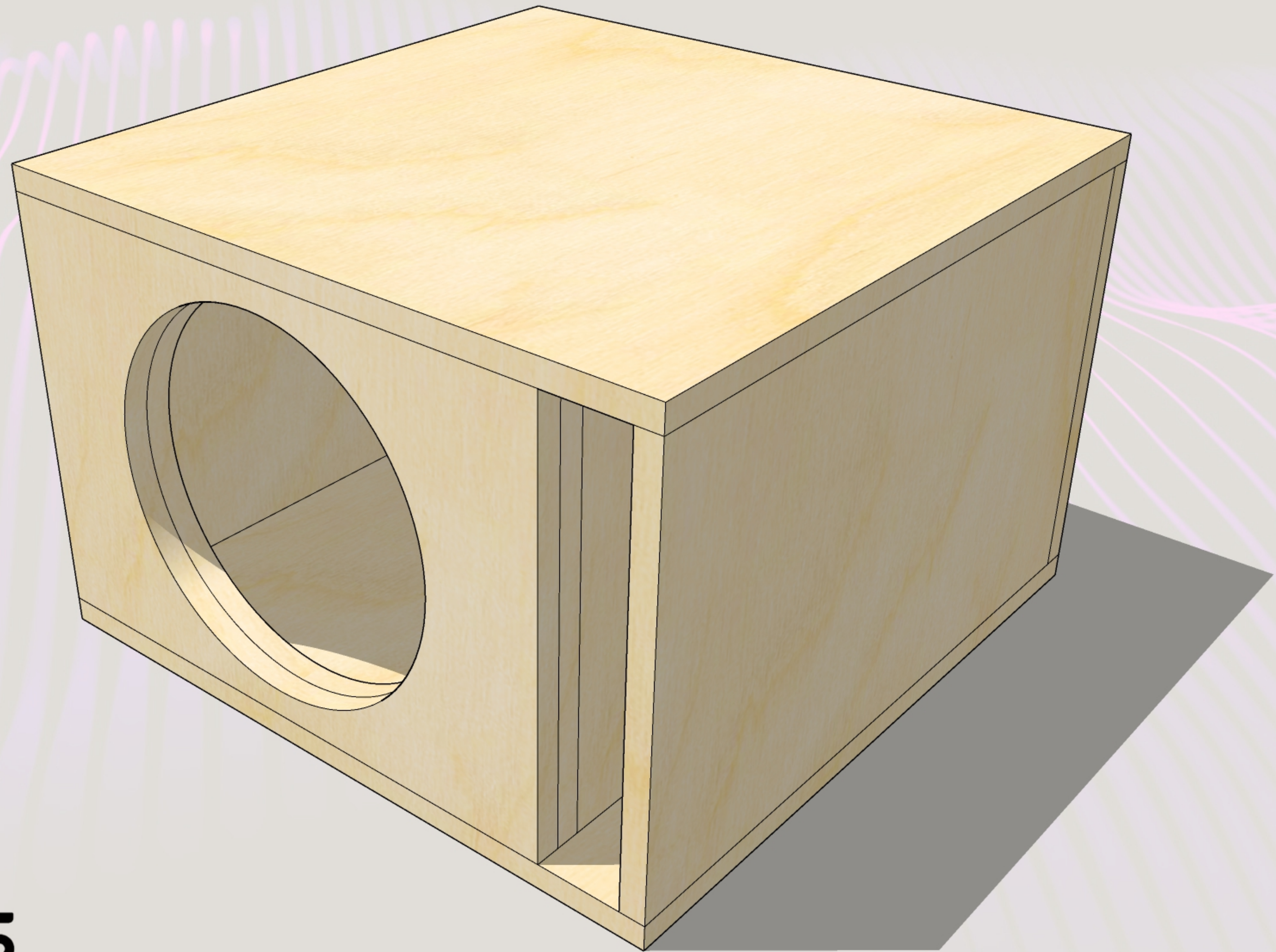








ENZ DB'S
DESIGNS



ENZ DB'S
DESIGNS