

CUT LIST:

Top/Bottom - $23\frac{3}{8}$ " x $23\frac{3}{8}$ " (2)

Left Side - $15\frac{5}{8}$ " x $21\frac{1}{8}$ "

Right Side - $15\frac{5}{8}$ " x $22\frac{5}{8}$ "

Front - $15\frac{5}{8}$ " x $19\frac{5}{8}$ " (2)

Back - $15\frac{5}{8}$ " x $23\frac{3}{8}$ "

Front Port Wall - $15\frac{5}{8}$ " x $18\frac{1}{8}$ "

Back Port Wall - $15\frac{5}{8}$ " x 8.5"

Port Bend 45 - $15\frac{5}{8}$ " x 2.5"

SPECS:

Volume - 3.0 ft³

Port Area - 46.9 in²

Port Tune - 33 Hz

Please do not change sub cutout locations, flush mount unless design has flush mounts, or add random 45's.

Panel Cutting Plan / optiCutter

Required stocks

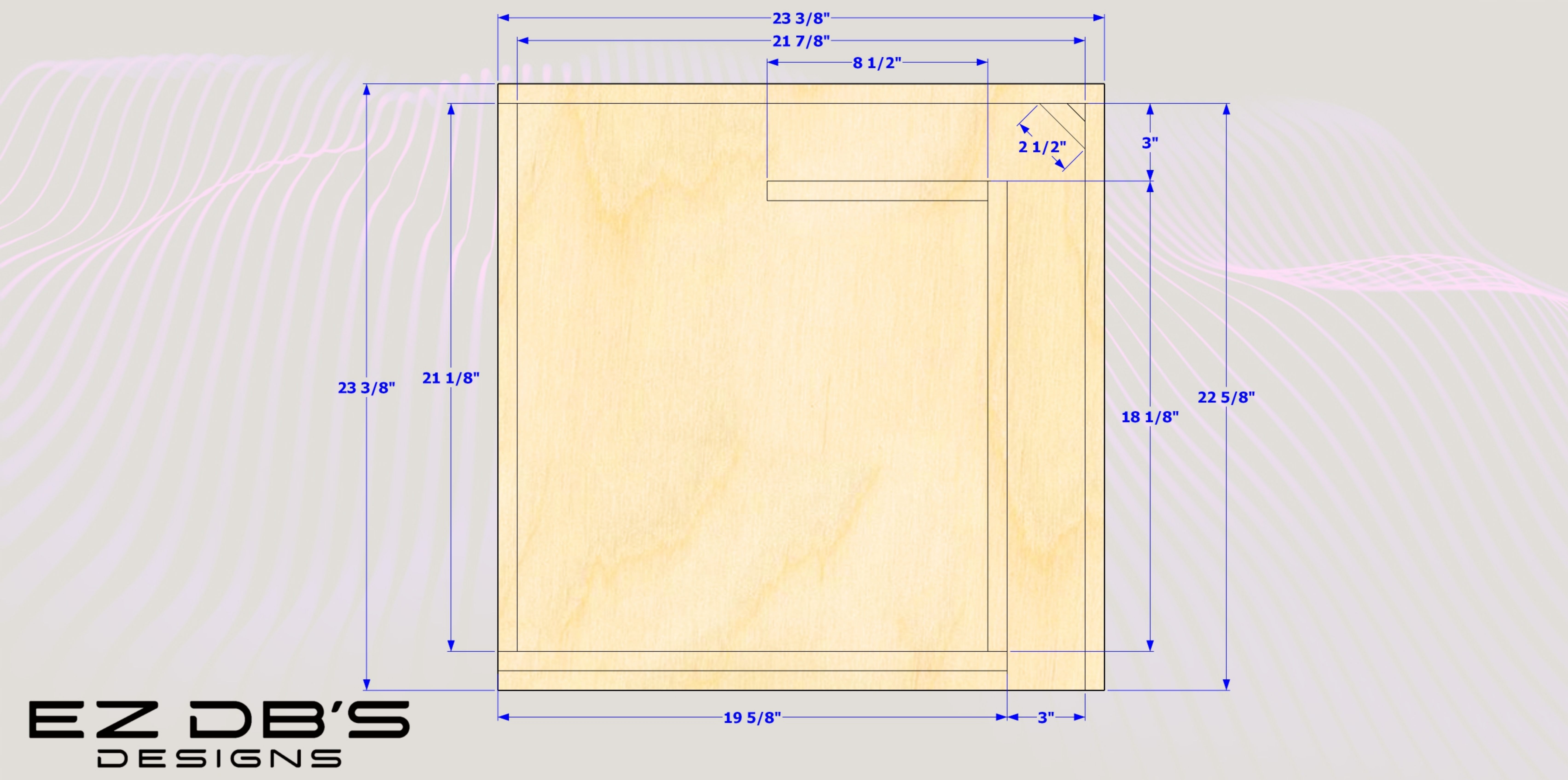
Stock dimensions	Quantity
48 x 96	1
Total	1

Total panels area (Quantity)	3,209.969 (10)
Used stocks total area (Yield)	4,608 (69.661 %)
Total cutting layouts	1
Total cuts length (Quantity)	376.375 (15)

Cutting layouts

Layout ID	Repetition	Stock dimensions	Panel	Qty
A	1x	48 x 96	23.375 x 23.375 / Top/Bottom	2
			15.625 x 18.125 / Front Port Wall	1
			19.625 x 15.625 / Front	2
			22.625 x 15.625 / Right Side	1
			8.5 x 15.625 / Back Port Wall	1
			23.375 x 15.625 / Back	1
			15.625 x 2.5 / Port Bend 45	1
			15.625 x 21.125 / Left Side	1
Cuts in layout				
			The length of cuts	376.375
			The number of cuts	15





23 3/8"

21 7/8"

8 1/2"

2 1/2"

3"

23 3/8"

21 1/8"

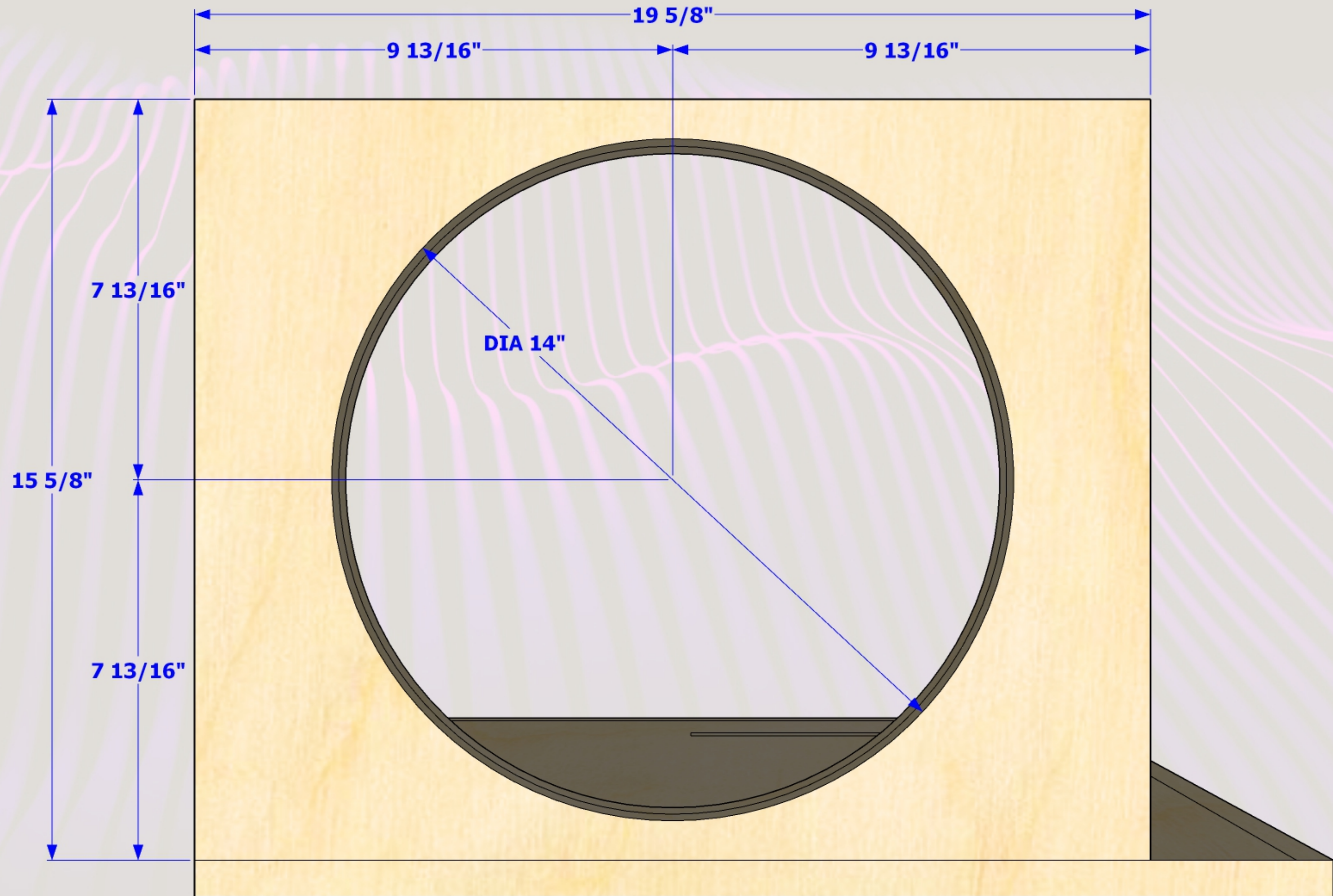
18 1/8"

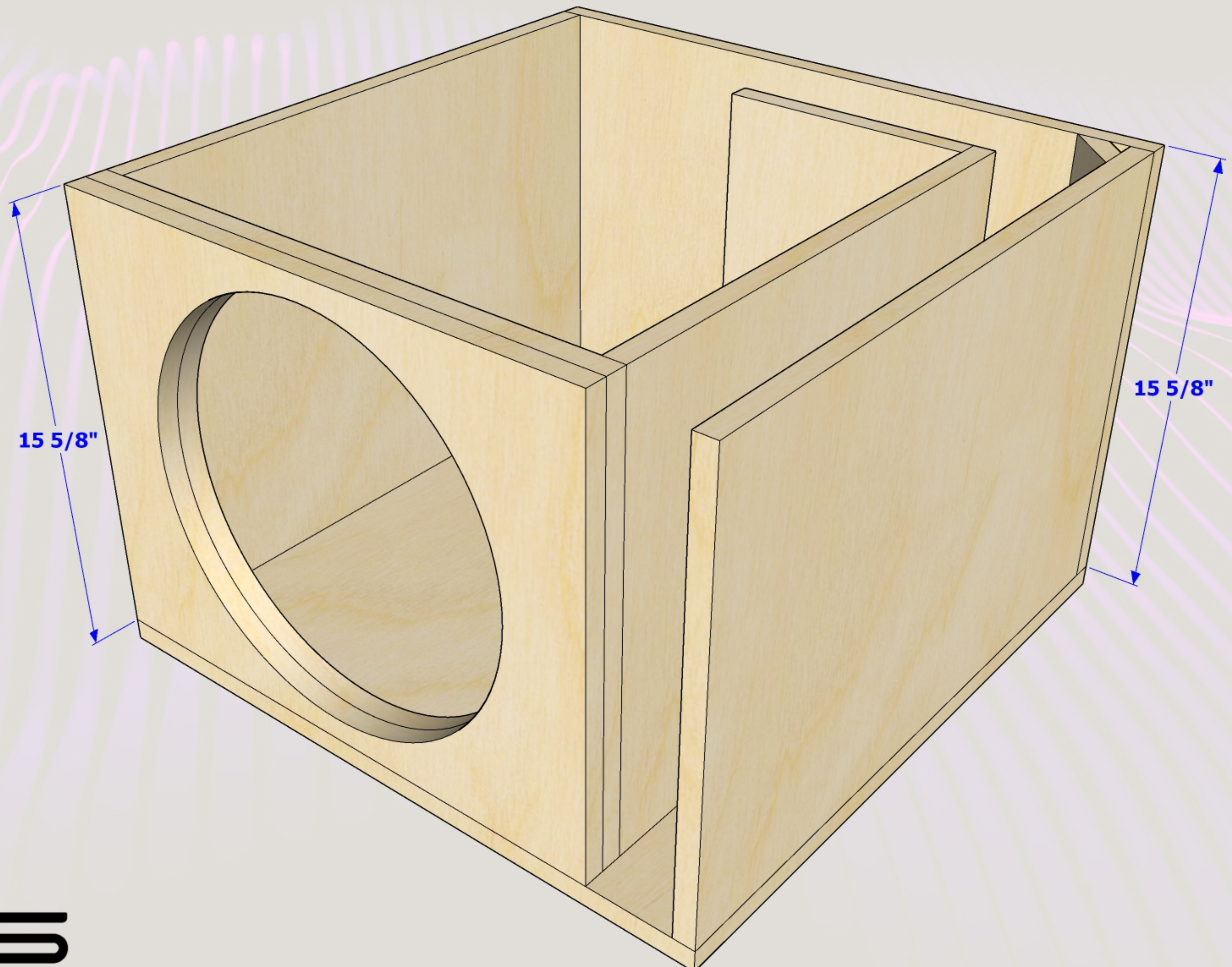
22 5/8"

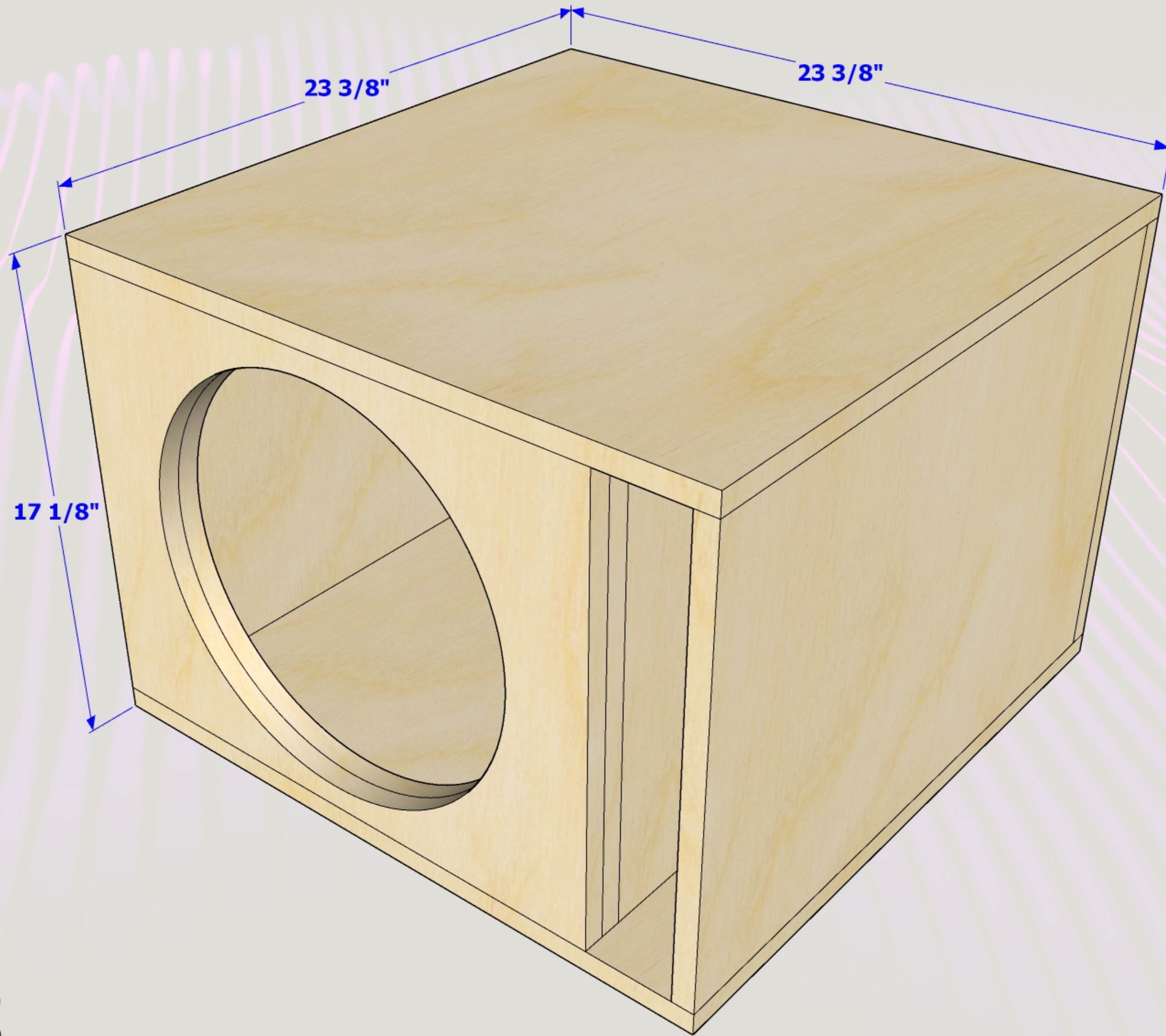
19 5/8"

3"

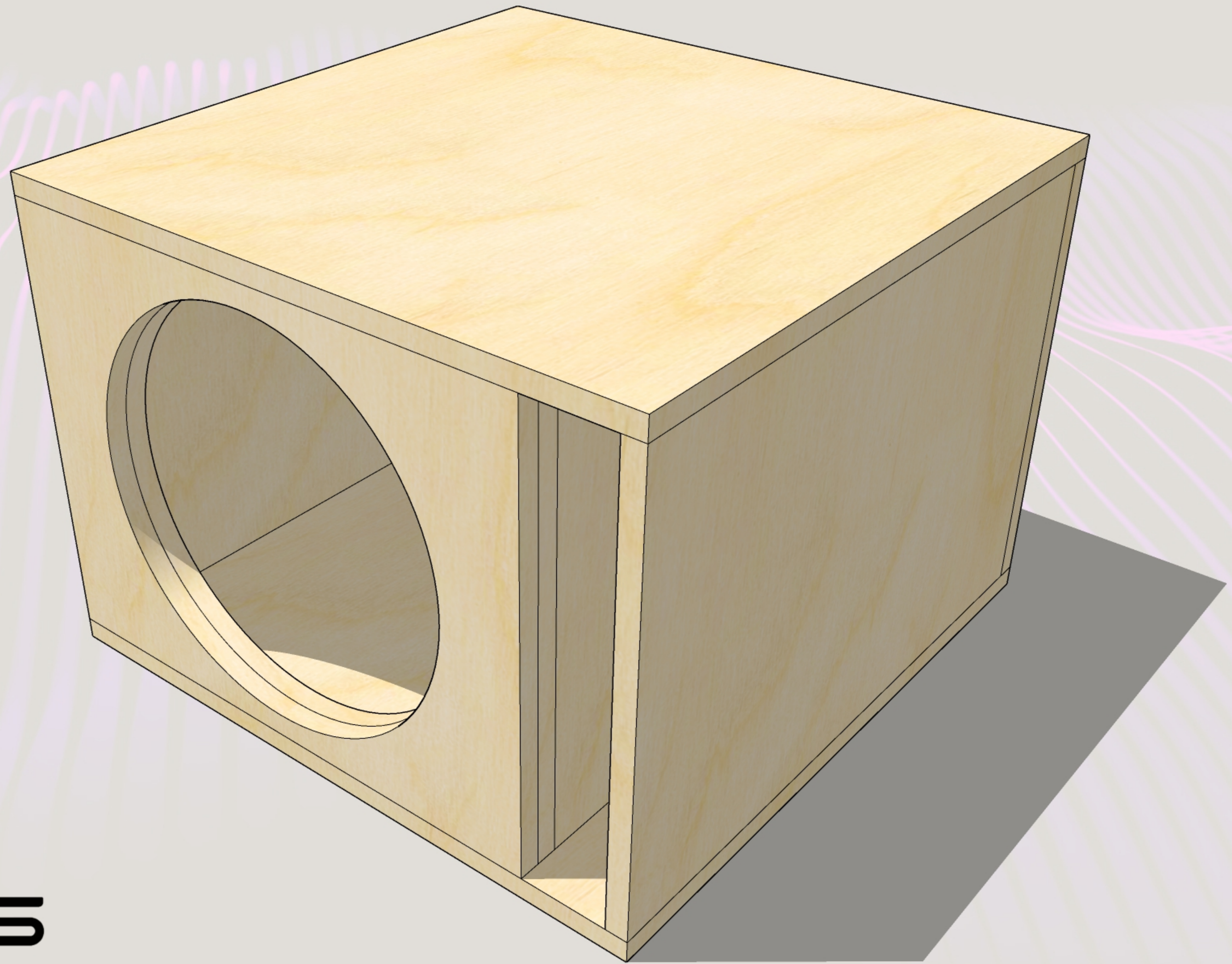
EN DB'S
DESIGNS







ENZ DB'S
DESIGNS



ENZ DB'S
DESIGNS