

CUT LIST:

Top/Bottom - $17\frac{5}{8}$ " x $17\frac{5}{8}$ " (2)

Left Side - $8\frac{5}{8}$ " x $16\frac{1}{8}$ "

Right Side - $8\frac{5}{8}$ " x $16\frac{7}{8}$ "

Front - $8\frac{5}{8}$ " x $15\frac{3}{8}$ "

Back - $8\frac{5}{8}$ " x $17\frac{5}{8}$ "

Front Port Wall - $8\frac{5}{8}$ " x $14\frac{5}{8}$ "

Back Port Wall - $8\frac{5}{8}$ " x $12\frac{3}{8}$ "

Port Bend 45's - $8\frac{5}{8}$ " x 1.25" (2)

SPECS:

Volume - 0.88 ft³

Port Area - 12.9 in²

Port Tune - 34 Hz

Please do not change sub cutout locations, flush mount unless design has flush mounts, or add random 45's.

Panel Cutting Plan / optiCutter

Required stocks

Stock dimensions	Quantity
48 x 96	1
Total	1

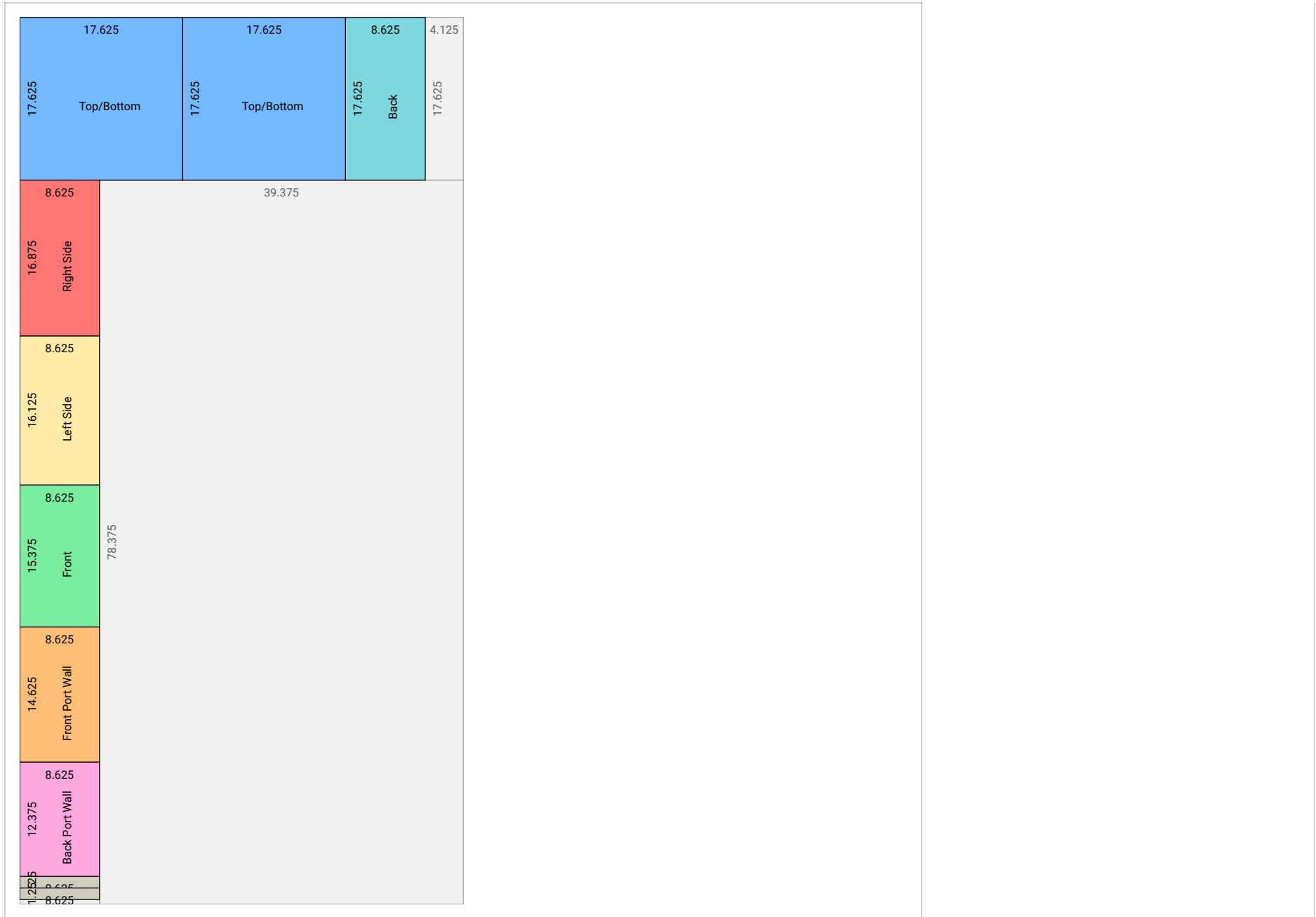
Total panels area (Quantity)	1,444.969 (10)
Used stocks total area (Yield)	4,608 (31.358 %)
Total cutting layouts	1
Total cuts length (Quantity)	239.625 (12)

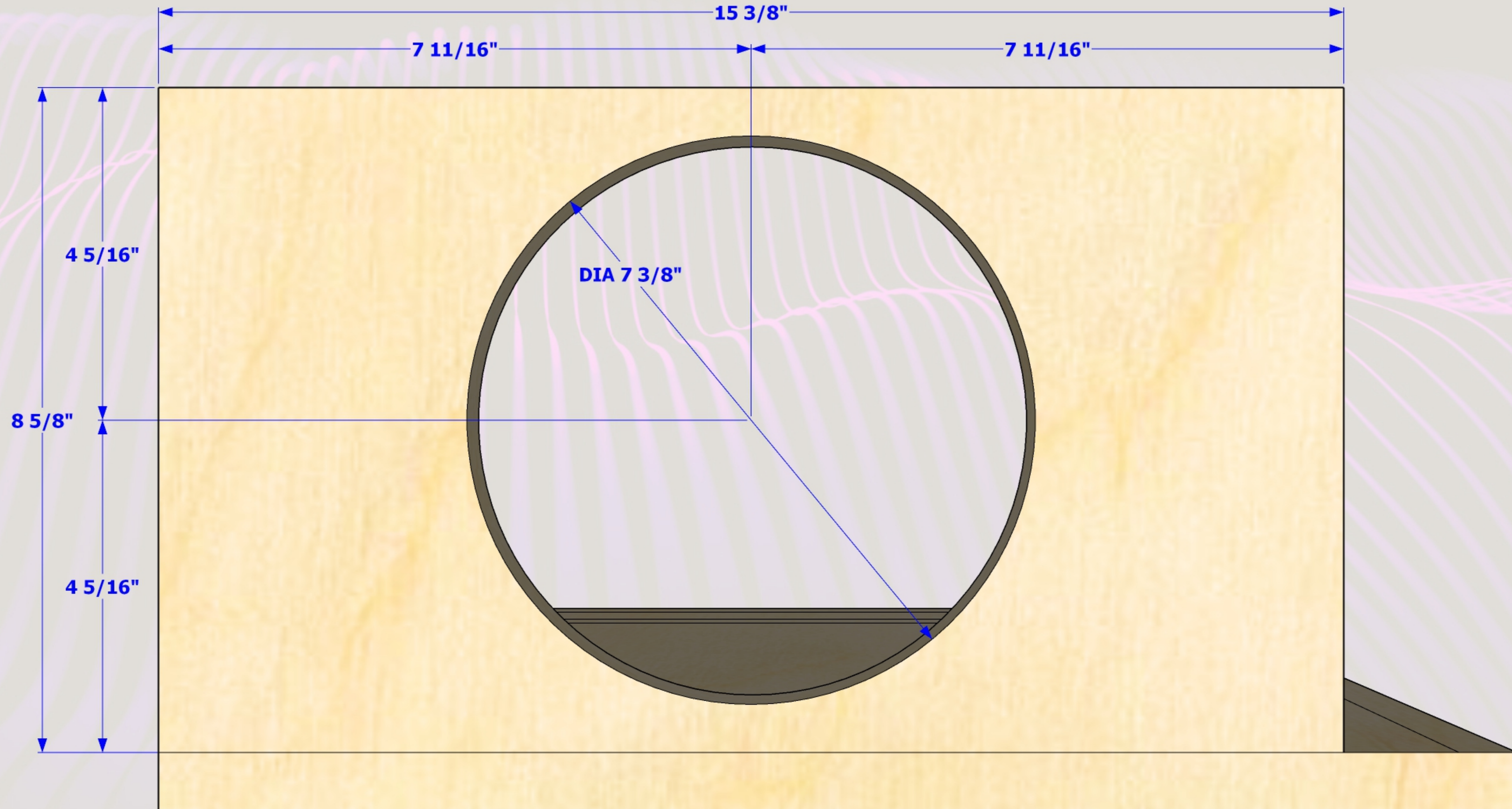
Cutting layouts

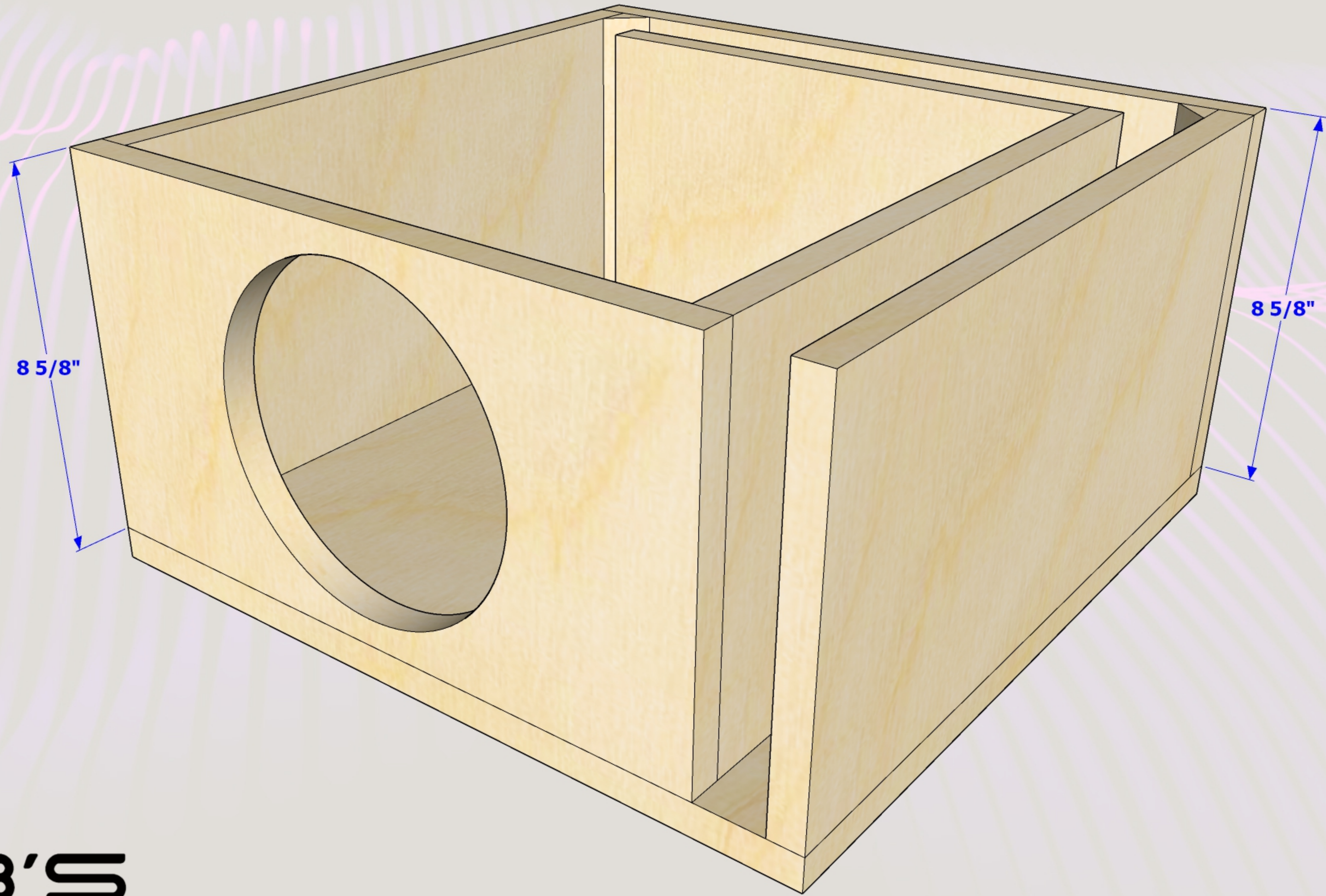
Layout ID A	Repetition 1x	Stock dimensions 48 x 96
-----------------------	-------------------------	------------------------------------

Panel	Qty
8.625 x 12.375 / Back Port Wall	1
8.625 x 15.375 / Front	1
8.625 x 16.875 / Right Side	1
8.625 x 16.125 / Left Side	1
8.625 x 17.625 / Back	1
17.625 x 17.625 / Top/Bottom	2
8.625 x 14.625 / Front Port Wall	1
8.625 x 1.25 / Port Bend 45	2

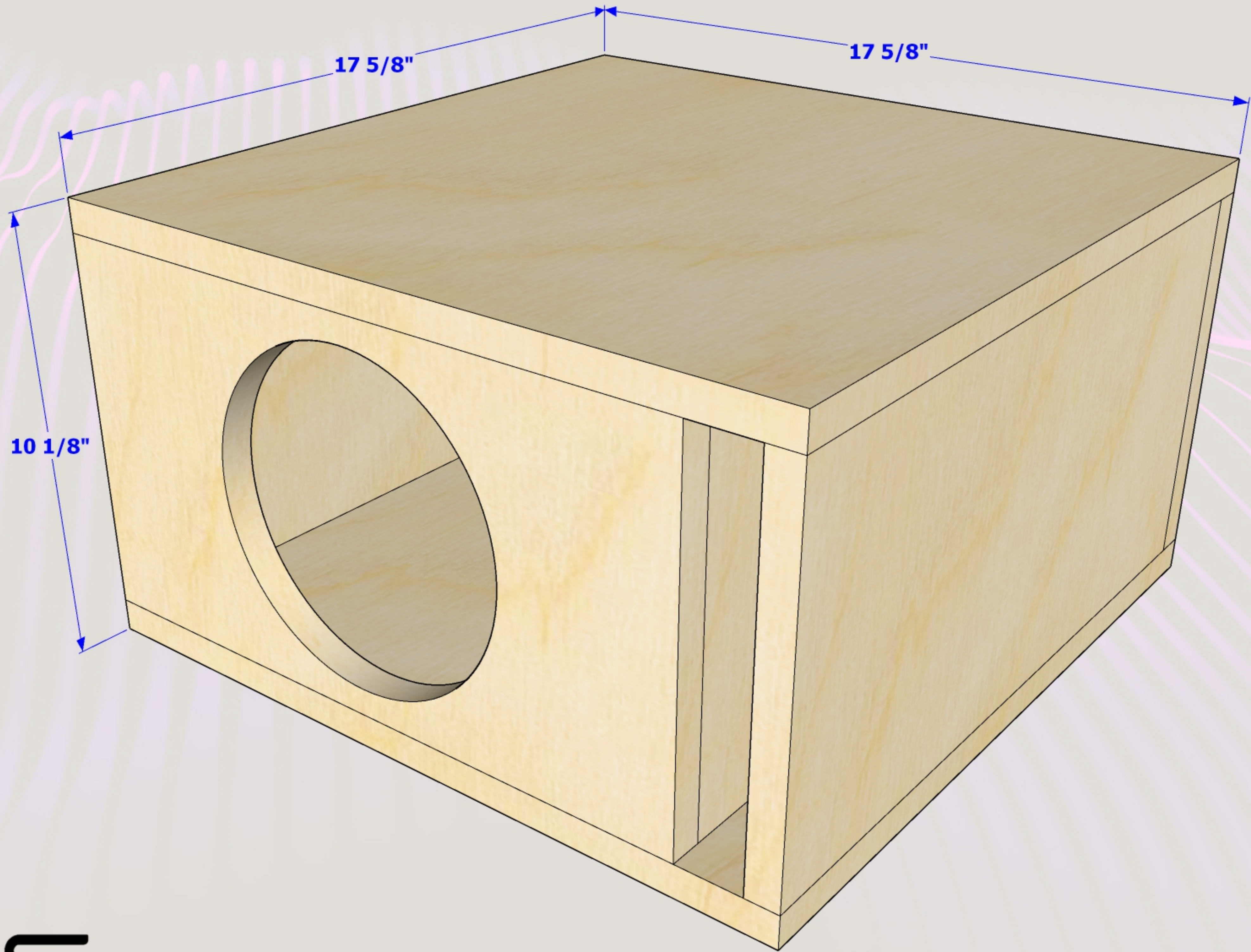
Cuts in layout	
The length of cuts	239.625
The number of cuts	12

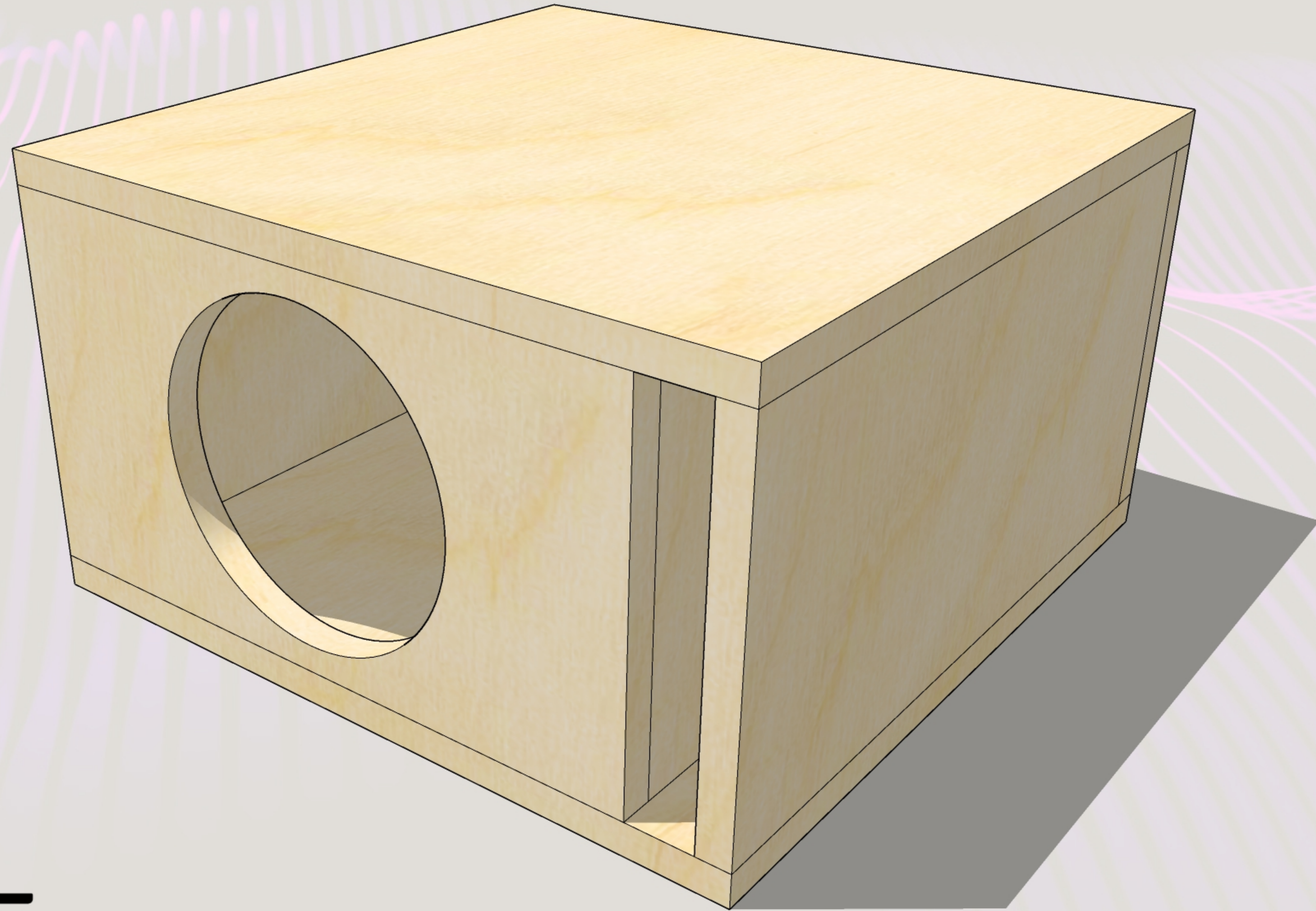






ENZ DB'S
DESIGNS





ENZ DB'S
DESIGNS